



PARTS MANUAL

ELECTRIC SCISSOR LIFTS

JCPT0808HD / JCPT1008HD / JCPT1012HD / JCPT1212HD / JCPT1412HD
JCPT0808DC / JCPT1008DC / JCPT1012DC / JCPT1212DC / JCPT1412DC / JCPT1612DC



WARNING

THE MANUFACTURER SHALL NOT BE HELD LIABLE IN CASE OF FAULTS OR ACCIDENTS DUE TO NEGLIGENCE, INCAPACITY, INSTALLATION BY UNQUALIFIED TECHNICIANS AND IMPROPER USE OF THE MACHINE

DO NOT OPERATE THIS MACHINE UNTIL YOU READ AND UNDERSTAND ALL THE DANGERS, WARNINGS AND CAUTIONS IN THIS MANUAL



C O N T E N T

| | |
|--|----|
| 1.1 Steer Linkage and Wheels — Hydraulic Motor Drive | 2 |
| 1.2 Steer Linkage and Wheels — DC Motor Drive | 4 |
| 1.2.1 Rear Wheel — DC Motor Drive | 6 |
| 2.1 Ladder and Angle Sensor Installation — JCPTXX08HD, JCPTXX08DC | 8 |
| 2.2 Ladder and Angle Sensor Installation — JCPTXX12HD, JCPTXX12DC | 10 |
| 3.1 Pothole Protection Assembly — JCPTXX08HD, JCPTXX08DC | 12 |
| 3.2 Pothole Protection Assembly — JCPTXX12HD, JCPTXX12DC | 14 |
| 4 Battery Pack Module | 16 |
| 5.1 Power Unit Module — Hydraulic Motor Drive (Horizontal Valve Manifolds) | 18 |
| 5.2 Power Unit Module — Hydraulic Motor Drive (Vertical Valve Manifolds) | 21 |
| 5.3 Power Unit Module — DC Motor Drive | 24 |
| 6.1 Scissor Assembly — JCPT0808HD, JCPT0808DC | 27 |
| 6.2 Scissor Assembly — JCPT1008HD, JCPT1008DC | 29 |
| 6.3 Scissor Assembly — JCPT1012HD, JCPT1012DC | 31 |
| 6.4 Scissor Assembly — JCPT1212HD, JCPT1212DC | 33 |
| 6.5 Scissor Assembly — JCPT1412HD, JCPT1412DC | 35 |
| 6.6 Scissor Assembly — JCPT1612DC | 38 |
| 7.1 Platform Components — JCPTXX08HD, JCPTXX08DC | 41 |
| 7.2 Platform Components — JCPTXX12HD, JCPTXX12DC | 44 |
| 7.3 Platform Components — JCPT1612DC | 47 |
| 8.1 Hydraulic Cylinder | 50 |

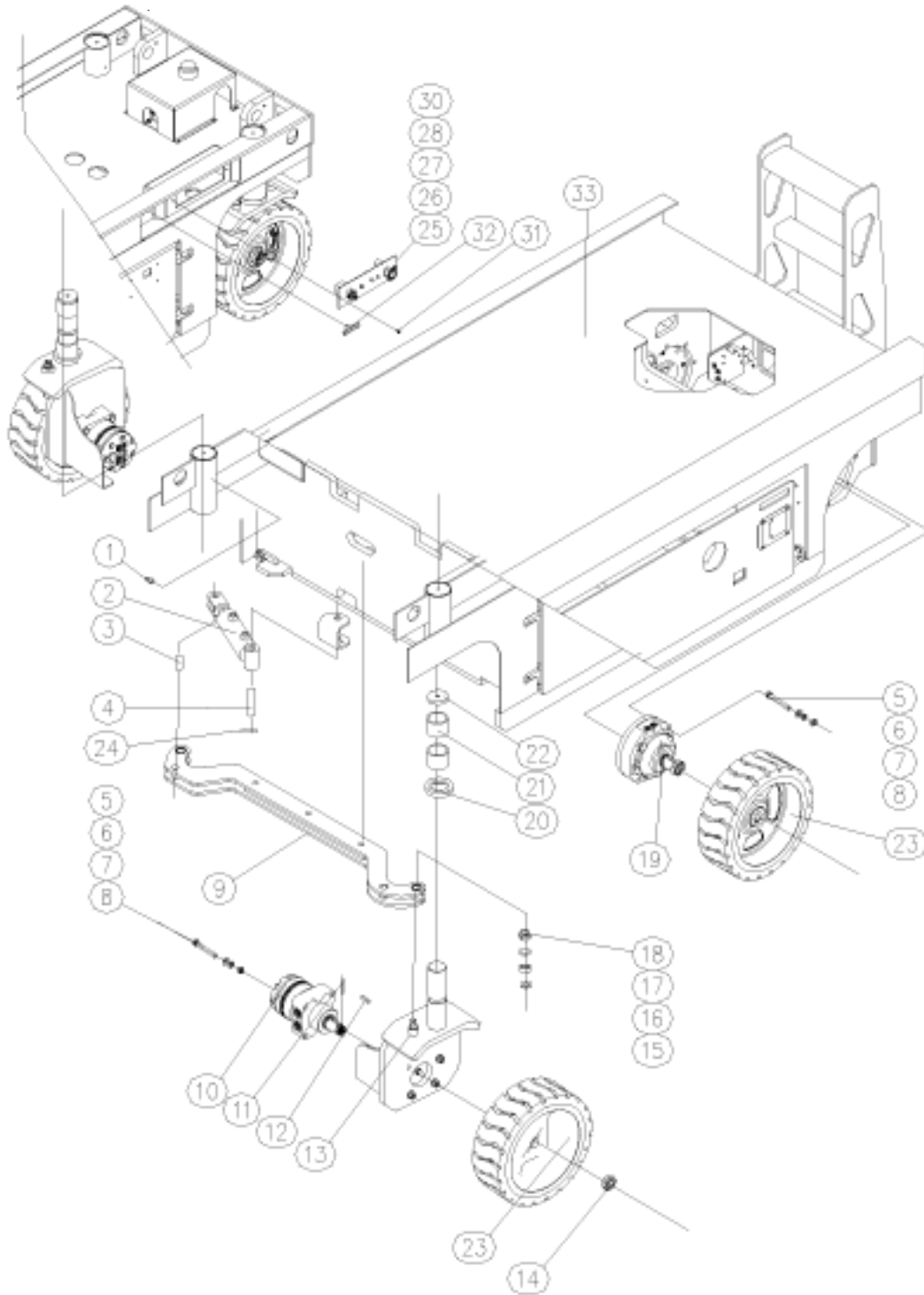


Enebakkveien 441 B
1290 OSLO, Norway
Tlf: 23 19 11 00
Faks: 23 19 11 01
post@instant.no
<http://www.instant.no>

Manufacturer's address:
Zhejiang Dingli Machinery Co., Ltd
Address: No.1255 Baiyun South Road, Leidian Town, Deqing,
Zhejiang China.

1.1 Steer Linkage and Wheels — Hydraulic Motor Drive

JCPT0808HD, JCPT1008HD, JCPT1012HD, JCPT1212HD, JCPT1412HD

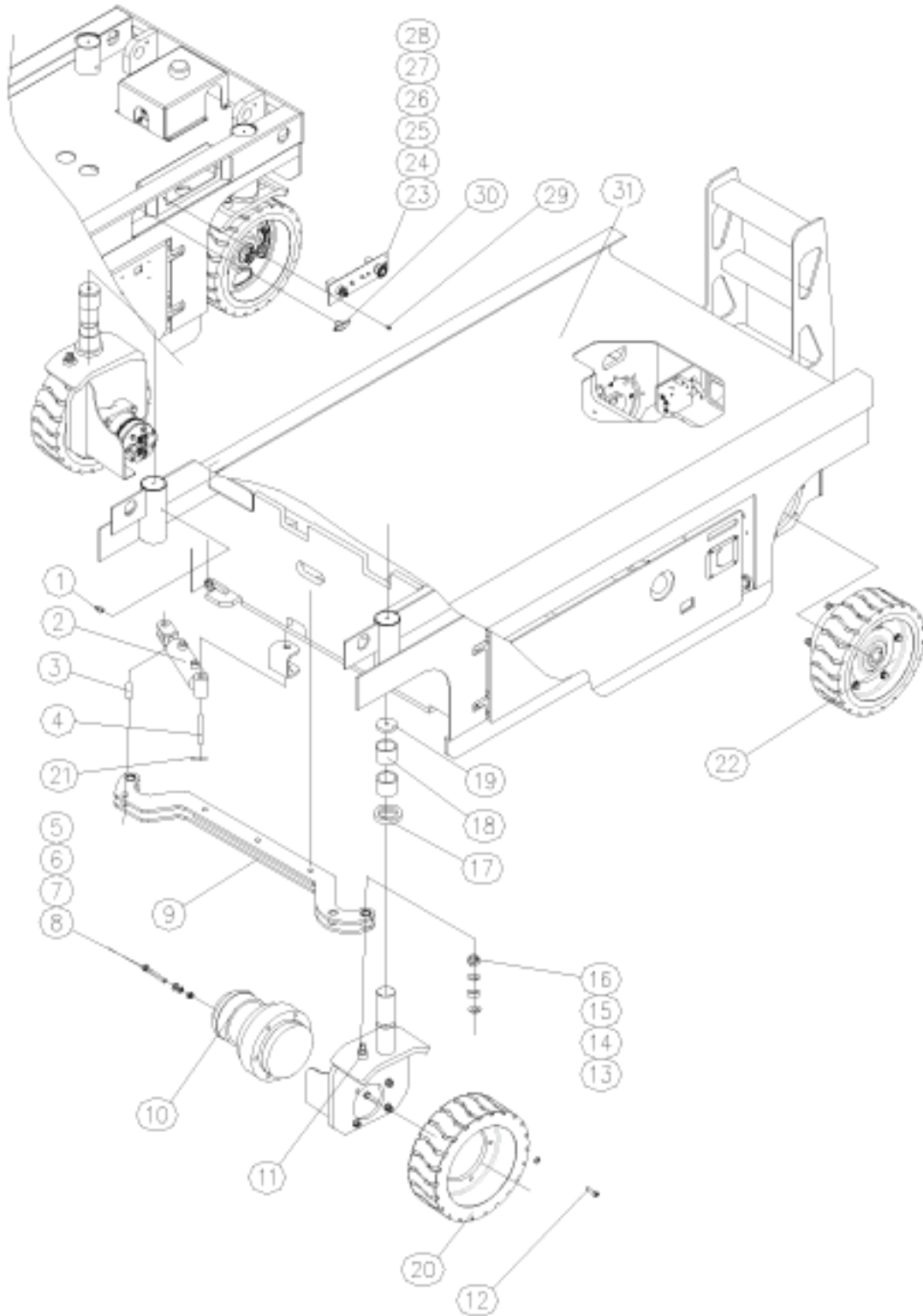


Zhejiang Dingli Machinery Co., Ltd

| No. | Parts No. | Description | Qty. | Remark |
|-----|----------------------|-----------------|------|--------|
| 1 | JCPT1212HD-14008 | Screw | 2 | |
| 2 | JCPT1212HD-55300B | Steer Cylinder | 1 | |
| 3 | JCPT1212HD-14005 | Axle | 1 | |
| 4 | JCPT1212HD-14006B | Axle | 1 | |
| 5 | GB5783-2000 | Bolt M12x30 | 8 | |
| 6 | GB93-2000 | Washer D12 | 8 | |
| 7 | GB6170-2000 | Nut M12 | 8 | |
| 8 | GB97.1-2000 | Washer D12 | 8 | |
| 9 | JCPT1212HD-14200B | Steer linkage | 1 | |
| | JCPT0808HD-14200B | Steer linkage | 1 | |
| 10 | 530300T3531AAADL | Drive Motor | 2 | |
| 11 | GBT91-2000 | Pin 4.6x30 | 4 | |
| 12 | GBT-1096T2003 | Flat key 8x32 | 4 | |
| 13 | JCPT1212HD-14100B | Steer Yoke | 2 | |
| 14 | GB6178-2000 | Nut M28 | 4 | |
| 15 | SF-1-2023-10 | Bearing | 2 | |
| 16 | EPBW-2848-015 | CSB-EPB | 2 | |
| 17 | GB95-85 | Washer 14 | 2 | |
| 18 | GB889.1-2000 | Locknut M14 | 2 | |
| 19 | 913000K3031AAAAA | Brake | 2 | |
| 20 | JCPT1212HD-14002 | Washer 1 | 2 | |
| 21 | 556550GM | Bearing | 4 | |
| 22 | JCPT1212HD-14001 | Spacer | 2 | |
| 23 | JCPT1212HD-14100B | Wheel | 4 | |
| 24 | GB894.1-2000 | Circlip 20 | 2 | |
| 25 | JCPT1212HD-13401 | Panel | 1 | |
| 26 | XB2-BS542C | Emergency Stop | 1 | |
| 27 | DC24V ϕ 8mm(XD) | Power indicator | 1 | |
| 28 | WST-101 7A | Reset switch | 1 | |
| 29 | 3547/00.3G002 | Up/Down switch | 1 | |
| 30 | KS888 | Key switch | 1 | |
| 31 | GB 818-2000 | Screw M5x10 | 2 | |
| 32 | 5X70 | Lowering knob | 1 | |
| 33 | JCPT0808HD-11000 | Vehicle frame | 1 | |
| | JCPT1212HD-11000 | Vehicle frame | 1 | |

1.2 Steer Linkage and Wheels — DC Motor Drive

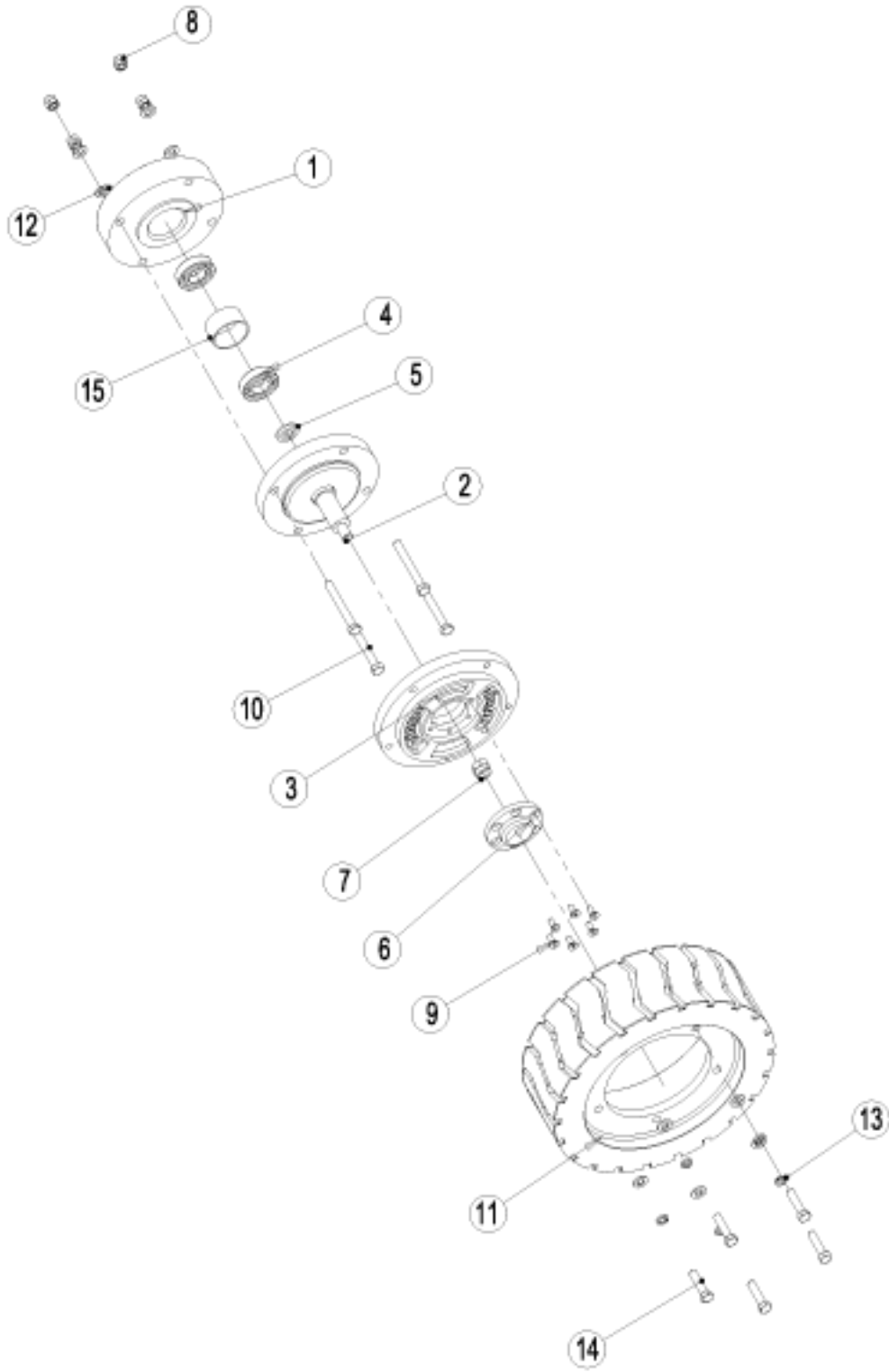
JCPT0808DC JCPT1008DC JCPT1012DC JCPT1212DC JCPT1412DC
JCPT1612DC



| No. | Parts No. | Description | Qty. | Remark |
|-----|----------------------|-------------------|------|--------|
| 1 | JCPT1212HD-14008 | Screw | 2 | |
| 2 | JCPT1212HD-55300B | Steer Cylinder | 1 | |
| 3 | JCPT1212HD-14005 | Axle | 1 | |
| 4 | JCPT1212HD-14006B | Axle | 1 | |
| 5 | GB5783-2000 | Bolt M12x30 | 4 | |
| 6 | GB93-2000 | Washer D12 | 4 | |
| 7 | GB6170-2000 | Nut M12 | 4 | |
| 8 | GB97.1-2000 | Washer D12 | 4 | |
| 9 | JCPT1212HD-14200B | Steer linkage | 1 | |
| | JCPT0808HD-14200B | Steer linkage | 1 | |
| 10 | E035C3A2AHWAP45 | Drive DC Motor | 2 | |
| 11 | JCPT1212DC-14110 | Steer Yoke | 2 | |
| 12 | HX-SHCS | Bolt 3/8-16UNCx35 | 6 | |
| 13 | SF-1-2023-10 | Bearing | 2 | |
| 14 | EPBW-2848-015 | CSB-EPB | 2 | |
| 15 | GB95-85 | Washer 14 | 2 | |
| 16 | GB889.1-2000 | Locknut M14 | 2 | |
| 17 | JCPT1212HD-14002 | Washer 1 | 2 | |
| 18 | 556550GM | Bearing | 4 | |
| 19 | JCPT1212HD-14001 | Spacer | 2 | |
| 20 | JCPT1212HD-14100B | Wheel | 2 | |
| 21 | GB894.1-2000 | Circlip 20 | 2 | |
| 22 | JCPT1212DC-10100 | Rear Wheel | 2 | |
| 23 | JCPT1212HD-13401 | Panel | 1 | |
| 24 | XB2-BS542C | Emergency Stop | 1 | |
| 25 | DC24V ϕ 8mm(XD) | Power indicator | 1 | |
| 26 | WST-101 7A | Reset switch | 1 | |
| 27 | 3547-00.3G002 | Up/Down switch | 1 | |
| 28 | KS888 | Key switch | 1 | |
| 29 | GB 818-2000 | Screw M5x10 | 2 | |
| 30 | 5X70 | Lowering knob | 1 | |
| 31 | JCPT0808HD-11000 | Vehicle frame | 1 | |
| | JCPT1212HD-11000 | Vehicle frame | 1 | |
| | JCPT1612DC-11000 | Vehicle frame | 1 | |

1.2.1 Rear Wheel — DC Motor Drive

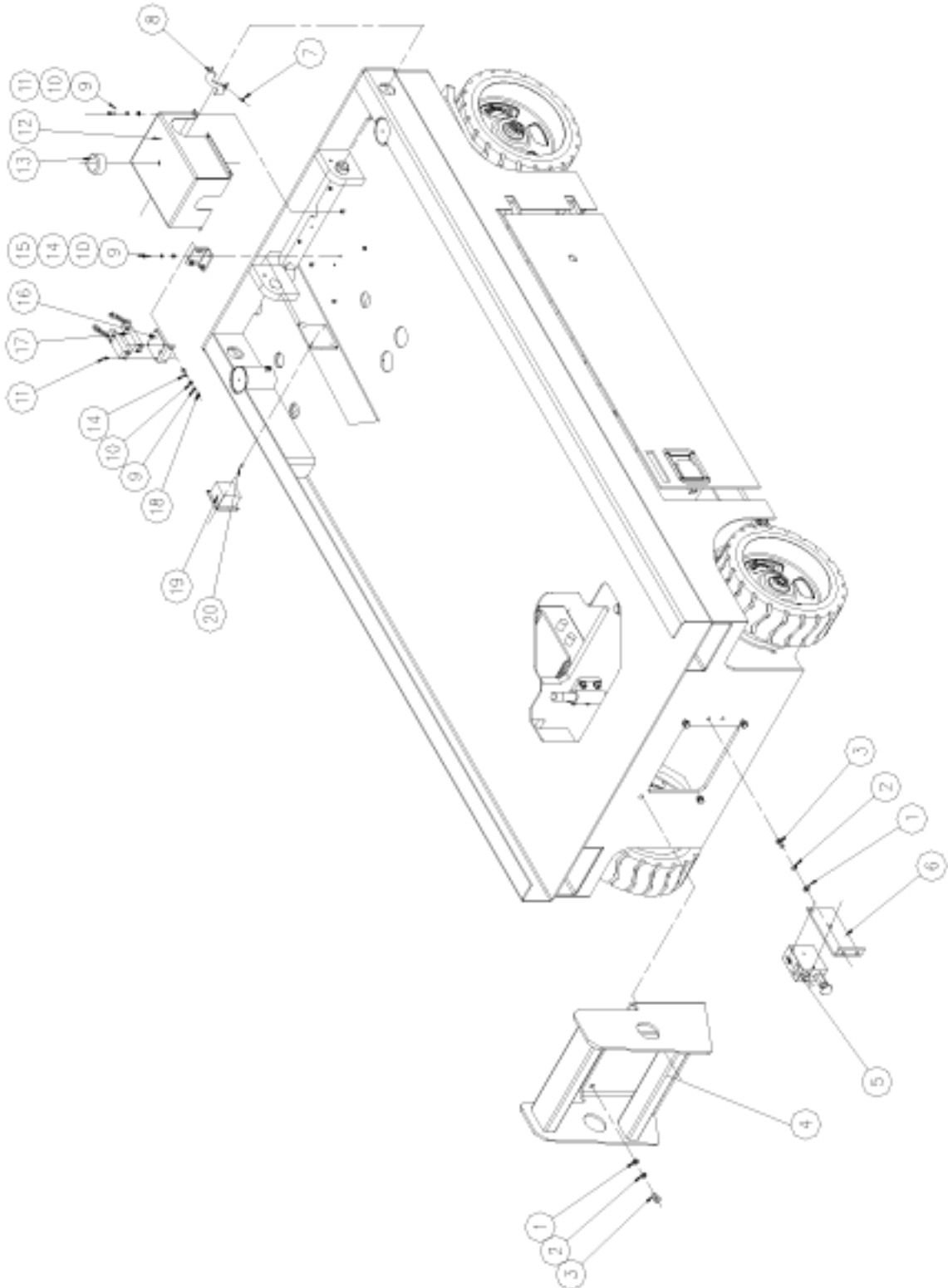
JCPT0808DC JCPT1008DC JCPT1012DC JCPT1212DC JCPT1412DC
JCPT1612DC



| NO. | Parts NO. | Description | QTY. | Remark |
|-----|------------------|-----------------|------|--------|
| 1 | JCPT1212DC-10106 | Cushion | 1 | |
| 2 | JCPT1212DC-10120 | Wheel Axle Seat | 1 | |
| 3 | JCPT1212DC-10104 | Bearing seat | 1 | |
| 4 | GB/T 276-1994 | Bearing 6206 | 2 | |
| 5 | JCPT1212DC-10101 | Washer | 1 | |
| 6 | JCPT1212DC-10103 | End cover | 1 | |
| 7 | GB/T 6182-2000 | Nut M16 | 1 | |
| 8 | GB/T 6182-2000 | Nut M12 | 4 | |
| 9 | GB/T 70.3-2000 | Screw M8x20 | 6 | |
| 10 | GB/T 5780-2000 | Bolt M12x100 | 4 | |
| 11 | JCPT1212DC-10102 | Wheel | 1 | |
| 12 | GB/T 97.1-2002 | Washer 12 | 9 | |
| 13 | GB/T 93-1987 | Washer 12 | 5 | |
| 14 | GB/T 5782-2000 | Bolt M12x50 | 5 | |
| 15 | JCPT1212DC-10105 | Sleeve | 1 | |

2.1 Ladder and Angle Sensor Installation — JCPTXX08HD , JCPTXX08DC

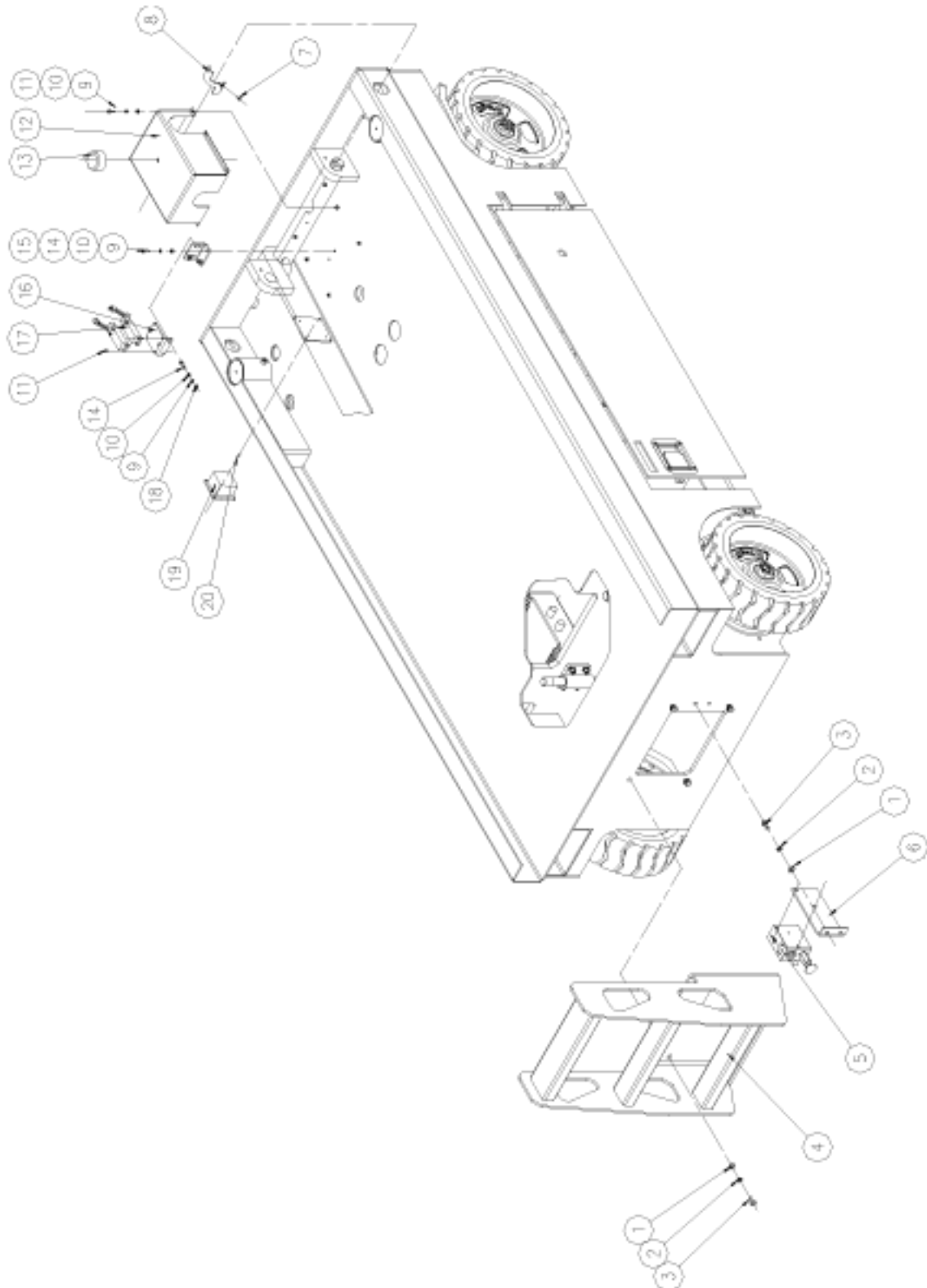
JCPT0808HD, JCPT1008HD, JCPT0808DC, JCPT1008DC



| NO. | Parts NO. | Description | QTY. | Remark |
|-----|-------------------|--------------------|------|---------------|
| 1 | GB97.1-2000 | Washer D10 | 4 | |
| 2 | GB93.1-2000 | Washer D10 | 4 | |
| 3 | GB5782-2000 | Bolt M10x20 | 4 | |
| 4 | JCPT0808HD-16000 | Ladder | 1 | JCPT0808HD/DC |
| | JCPT1212HD-16000 | Ladder | 1 | JCPT1008HD/DC |
| 5 | 960020A10AAAA | Brake Release pump | 1 | |
| 6 | JCPT1212HD-10004 | Pump seat | 1 | |
| 7 | GB70.1-2000 | Screw M4x10 | 1 | |
| 8 | JCPT1212HD-310039 | Plate | 1 | |
| 9 | GB97.1-2000 | Washer D6 | 3 | |
| 10 | GB93.1-2000 | Washer D6 | 3 | |
| 11 | GB70.1-2000 | Screw M6x10 | 2 | |
| 12 | JCPT1212HD-10003 | Shield | 1 | |
| 13 | LTE-5061 DC24V | Light | 1 | |
| 14 | GB70.1-2000 | Screw M6x20 | 4 | |
| 15 | JCPT1212HD-310042 | Seat | 1 | |
| 16 | JCPT1212HD-310041 | Seat | 1 | |
| 17 | TZ8108 | Limited Switch | 2 | |
| 18 | GB9170-2000 | Nut M6 | 2 | |
| 19 | 604419 | Angle sensor | 1 | |
| 20 | GB70.1-2000 | Screw M4x10 | 4 | |

2.2 Ladder and Angle Sensor Installation — JCPTXX12HD , JCPTXX12DC

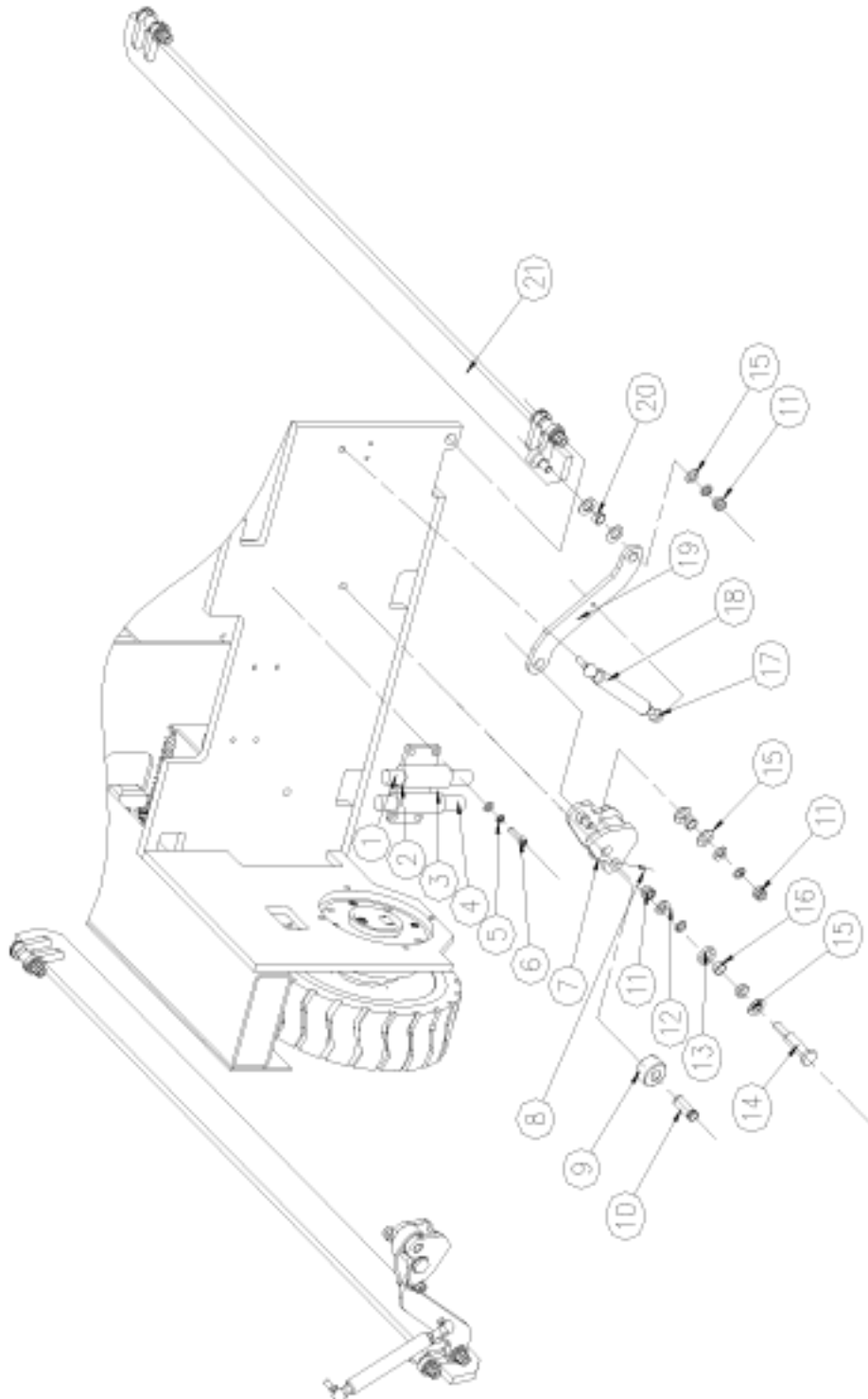
JCPT1012HD, JCPT1212HD, JCPT1412HD, JCPT1012DC, JCPT1212DC, JCPT1412DC JCPT1612DC



| NO. | Parts NO. | Description | QTY. | Remark |
|-----|-------------------|--------------------|------|--------|
| 1 | GB97.1-2000 | Washer D10 | 4 | |
| 2 | GB93.1-2000 | Washer D10 | 4 | |
| 3 | GB5782-2000 | Bolt M10x20 | 4 | |
| 4 | JCPT1212HD-16000 | Ladder | 1 | |
| 5 | 960020A10AAAA | Brake Release Pump | 1 | |
| 6 | JCPT1212HD-10004 | Pump seat | 1 | |
| 7 | GB70.1-2000 | Screw M4x10 | 1 | |
| 8 | JCPT1212HD-310039 | Plate | 1 | |
| 9 | GB97.1-2000 | Washer D6 | 3 | |
| 10 | GB93.1-2000 | Washer D6 | 3 | |
| 11 | GB70.1-2000 | Screw M6x10 | 2 | |
| 12 | JCPT1212HD-10003 | Shield | 1 | |
| 13 | LTE-5061 DC24V | Light | 1 | |
| 14 | GB70.1-2000 | Screw M6x20 | 4 | |
| 15 | JCPT1212HD-310042 | Seat | 1 | |
| 16 | JCPT1212HD-310041 | Seat | 1 | |
| 17 | TZ8108 | Limited Switch | 2 | |
| 18 | GB9170-2000 | Nut M6 | 2 | |
| 19 | 604419 | Angle sensor | 1 | |
| 20 | GB70.1-2000 | Screw M4x10 | 4 | |

3.1 Pothole Protection Assembly — JCPTXX08HD, JCPTXX08DC

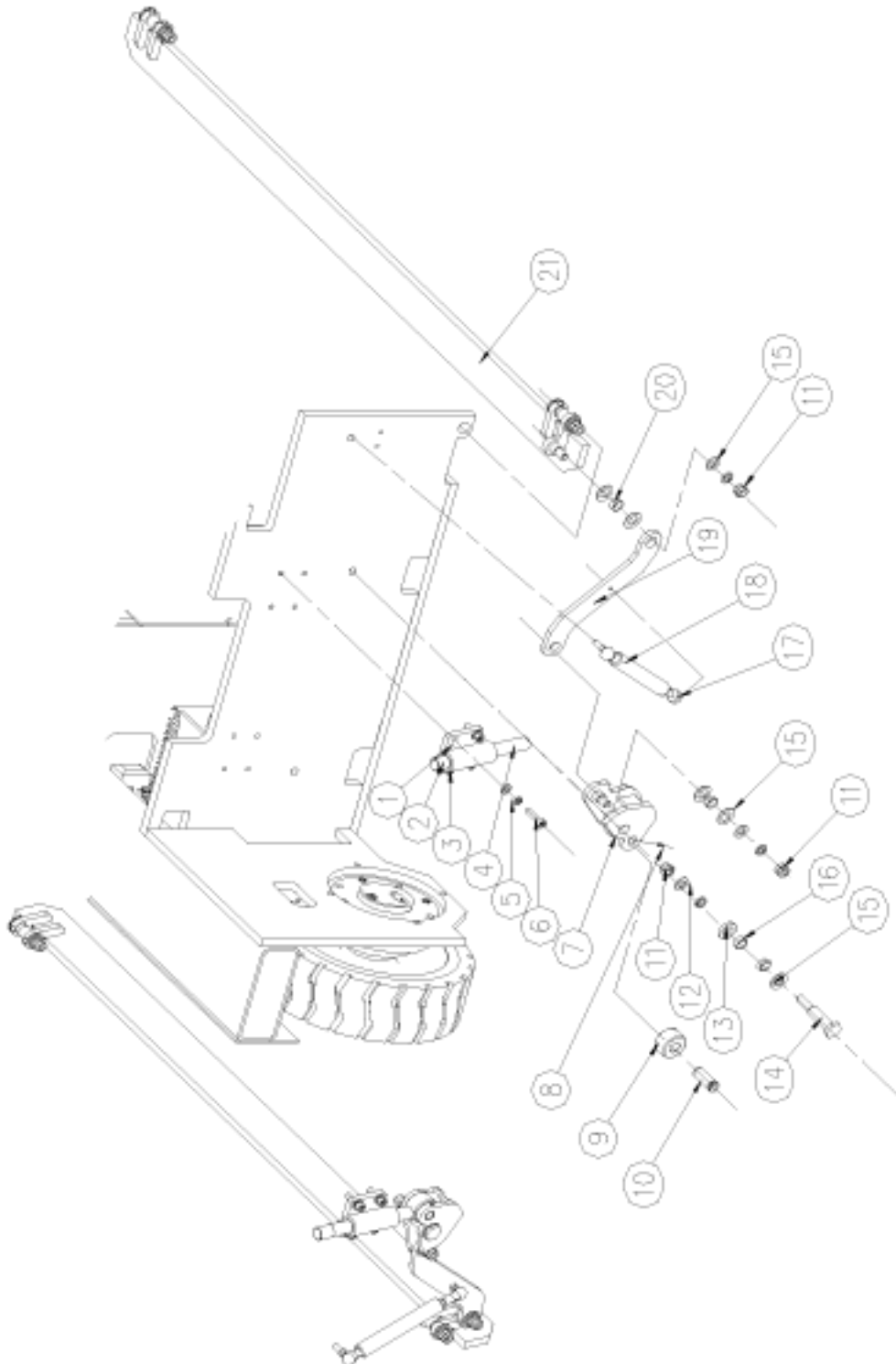
JCPT0808HD, JCPT1008HD, JCPT0808DC, JCPT1008DC



| NO. | Parts NO. | Description | QTY. | Remark |
|-----|------------------|-----------------|------|--------|
| 1 | JCPT0808HD-15050 | Pot hole guide | 1 | |
| 2 | JCPT1212HD-15003 | Pot hole Pusher | 2 | |
| 3 | SF-1-3236-20 | Bearing 3236-20 | 4 | |
| 4 | JCPT1212HD-15004 | Shaft | 2 | |
| 5 | GB93.1-2000 | Washer 10 | 8 | |
| 6 | GB70.1-2000 | Screw M10X35 | 8 | |
| 7 | JCPT1212HD-15040 | Crank | 2 | |
| 8 | GB/T79-2000 | Screw M5x10 | 2 | |
| 9 | JCPT1212HD-15005 | Wheel | 2 | |
| 10 | JCPT1212HD-15006 | Pin | 2 | |
| 11 | GB/T6182-2000 | Nut M14 | 8 | |
| 12 | GB/T95-2000 | Washer 14 | 8 | |
| 13 | JCPT1212HD-15007 | Washer | 2 | |
| 14 | JCPT1212HD-15008 | Pin | 2 | |
| 15 | WC20SF | Spacer 2036-015 | 18 | |
| 16 | SF-1-2023-09 | Bearing 2023-09 | 10 | |
| 17 | ZDYC1535-6001 | Gas spring | 2 | |
| 18 | JCPT1212HD-15001 | Gas spring pin | 2 | |
| 19 | JCPT0808HD-15002 | Linker | 2 | |
| 20 | SF-1-2023-20 | Bearing 2023-20 | 4 | |
| 21 | JCPT1212HD-15030 | Pot hole guard | 2 | |

3.2 Pothole Protection Assembly — JCPTXX12HD, JCPTXX12DC

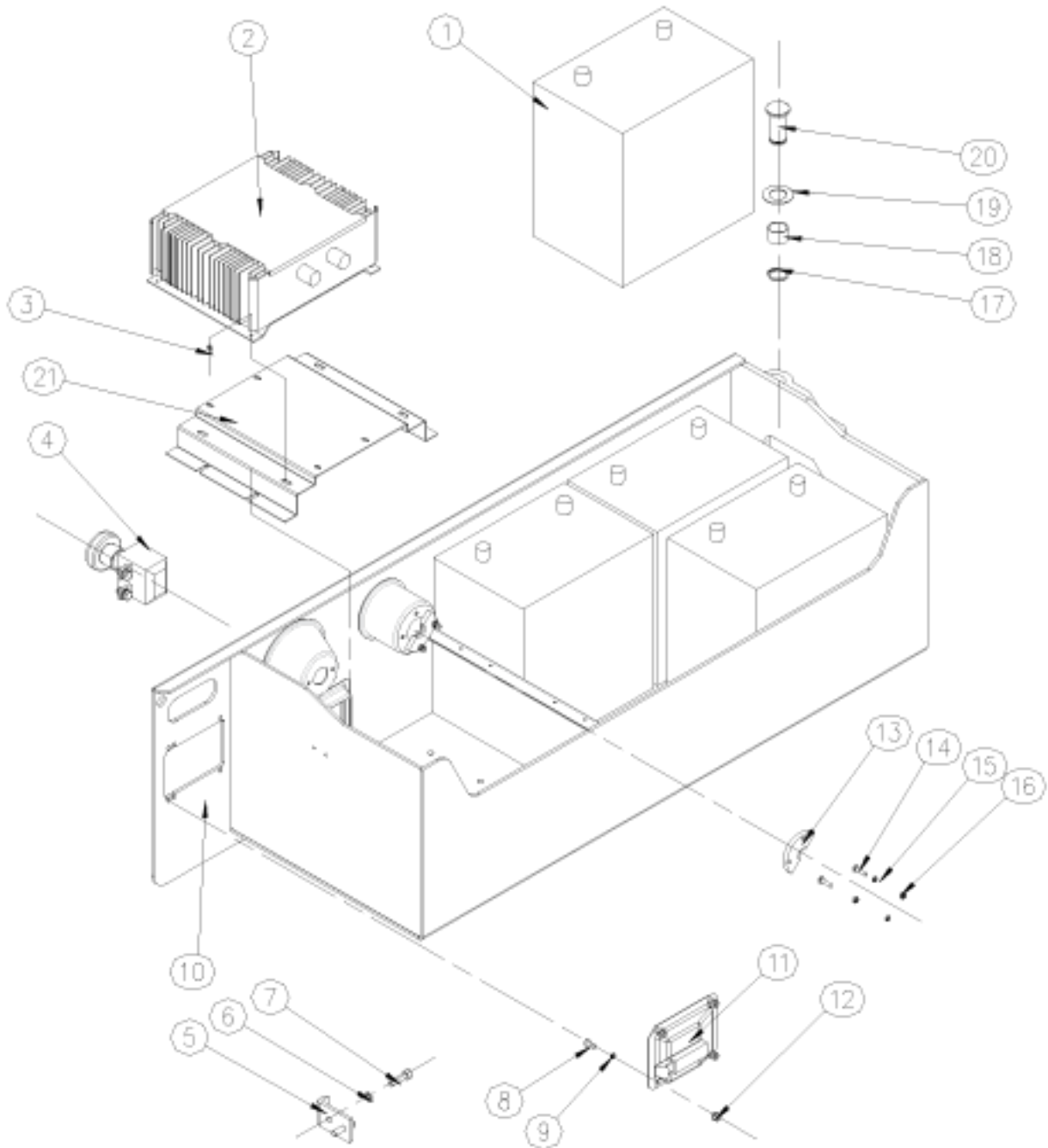
JCPT1012HD, JCPT1212HD, JCPT1412HD, JCPT1012DC, JCPT1212DC,
JCPT1412DC JCPT1612DC



| NO. | Parts NO. | Description | QTY. | Remark |
|-----|------------------|-----------------|------|--------|
| 1 | JCPT1212HD-15050 | Pot hole guide | 2 | |
| 2 | JCPT1212HD-15003 | Pot hole Pusher | 2 | |
| 3 | SF-1-3236-20 | Bearing 3236-20 | 4 | |
| 4 | JCPT1212HD-15004 | Shaft | 2 | |
| 5 | GB93.1-2000 | Washer 10 | 8 | |
| 6 | GB70.1-2000 | Screw M10X35 | 8 | |
| 7 | JCPT1212HD-15040 | Crank | 2 | |
| 8 | GB/T79-2000 | Screw M5x10 | 2 | |
| 9 | JCPT1212HD-15005 | Wheel | 2 | |
| 10 | JCPT1212HD-15006 | Pin | 2 | |
| 11 | GB/T6182-2000 | Nut M14 | 8 | |
| 12 | GB/T95-2000 | Washer 14 | 8 | |
| 13 | JCPT1212HD-15007 | Washer | 2 | |
| 14 | JCPT1212HD-15008 | Pin | 2 | |
| 15 | WC20SF | Spacer 2036-015 | 18 | |
| 16 | SF-1-2023-09 | Bearing 2023-09 | 10 | |
| 17 | ZDYC1535-6001 | Gas spring | 2 | |
| 18 | JCPT1212HD-15001 | Gas spring pin | 2 | |
| 19 | JCPT1212HD-15002 | Linker | 2 | |
| 20 | SF-1-2023-30 | Bearing 2023-20 | 4 | |
| 21 | JCPT1212HD-15030 | Pot hole guard | 2 | |
| | JCPT1612DC-15030 | Pot hole guard | 2 | |

4 Battery Pack Module

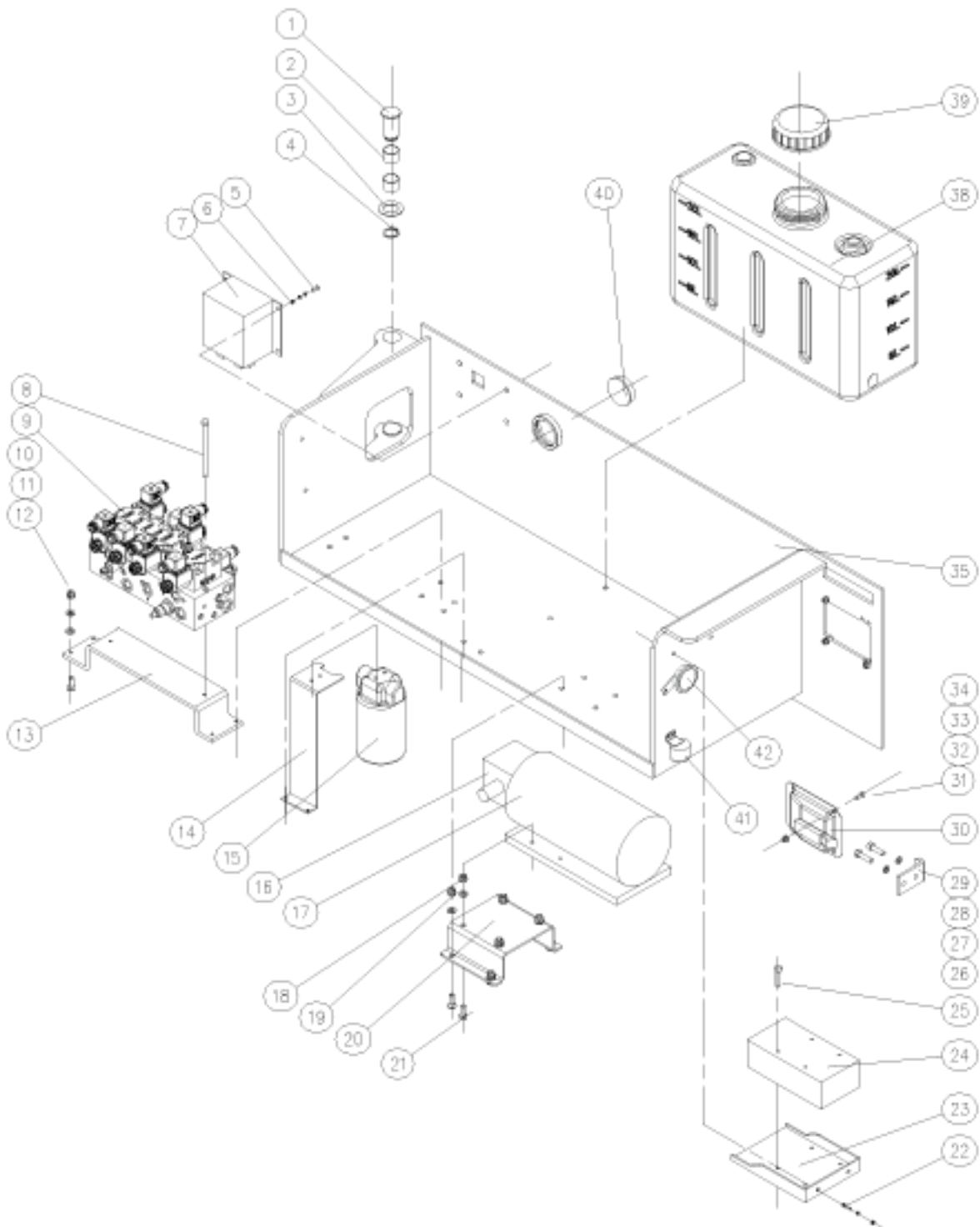
All Models



| NO. | Parts NO. | Description | QTY. | Remark |
|-----|------------------|-----------------|------|--------|
| 1 | Trojan | Battery | 4 | |
| 2 | Inchwp-2430 | Charger | 1 | |
| 3 | GB818-2000 | Screw M4x10 | 4 | |
| 4 | ZDK31-250 | Power switch | 1 | |
| 5 | JCPT1212HD-12002 | Lock seat | 1 | |
| 6 | GB/T93.1-2000 | Washer 8 | 2 | |
| 7 | GB/T70.1-2000 | Screw M8X30 | 2 | |
| 8 | GB/T818-2000 | Screw M6X20 | 4 | |
| 9 | GB/T93.1-2000 | Washer 6 | 4 | |
| 10 | JCPT1212HD-12100 | Battery box | 1 | |
| | JCPT1612DC-12100 | Battery box | 1 | |
| 11 | JCPT0630-12012 | Lock | 1 | |
| 12 | GB/T6170-2000 | Nut M6 | 4 | |
| 13 | JCPT1212HD-12003 | Plat | 2 | |
| 14 | GB/T818-2000 | Screw M5x20 | 4 | |
| 15 | GB/T93.1-2000 | Washer 5 | 4 | |
| 16 | GB/T6170-2000 | Nut M5 | 4 | |
| 17 | GB/T894.1-2000 | Circlip25 | 2 | |
| 18 | SF-1-2528-20 | Bearing 2528-20 | 4 | |
| 19 | WC-26SF | Spacer 2644-015 | 2 | |
| 20 | JCPT1212HD-12001 | Gate shaft | 2 | |
| 21 | JCPT0807-116001 | Seat | 1 | |

5.1 Power Unit Module — Hydraulic Motor Drive (Horizontal Valve Manifolds)

JCPT0808HD, JCPT1008HD, JCPT1012HD, JCPT1212HD, JCPT1412HD

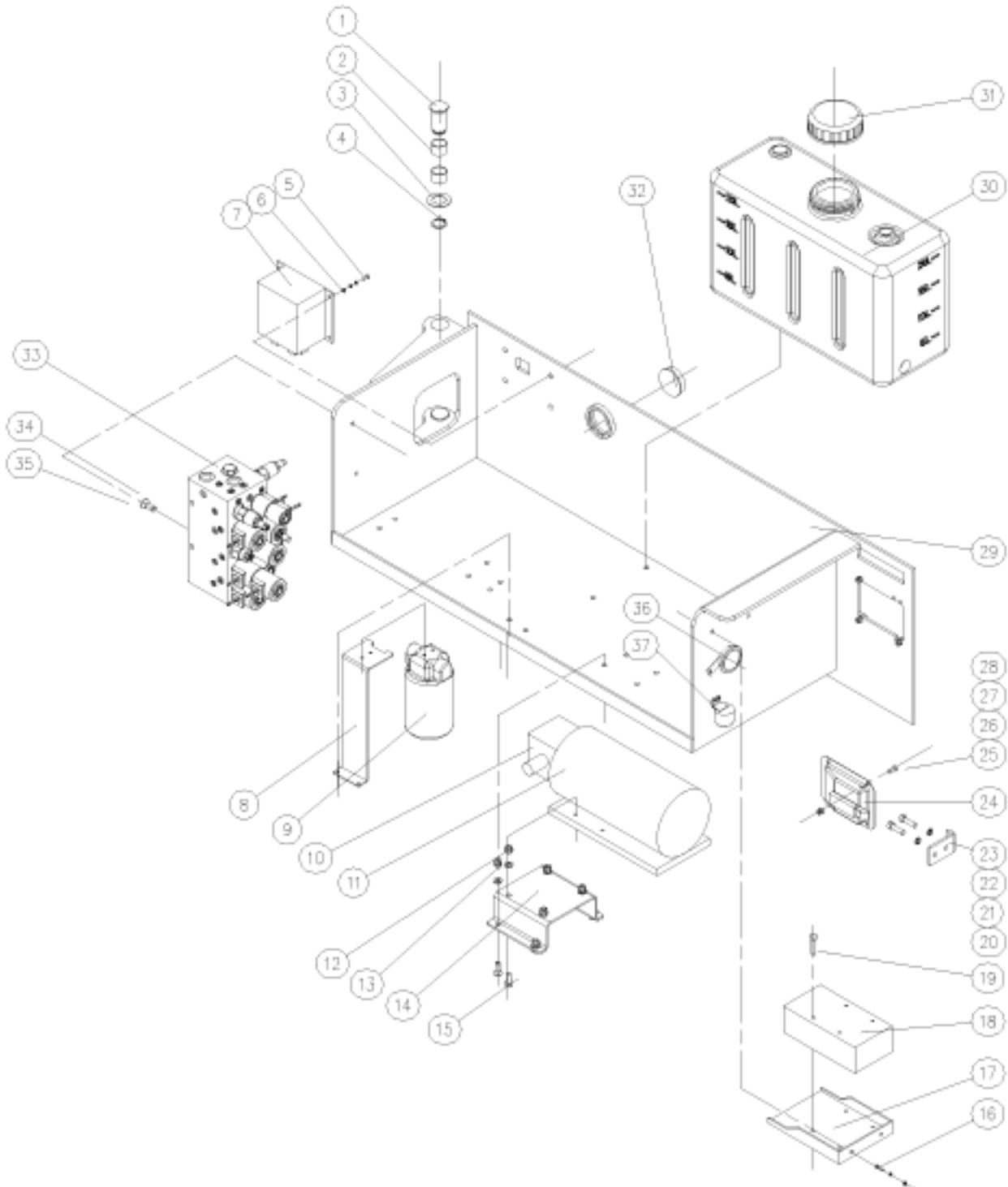


| NO. | Parts NO. | Description | QTY. | Remark |
|-----|------------------|---------------------|------|--------|
| 1 | JCPT1212HD-12001 | Gate shaft | 2 | |
| 2 | SF-1-2528-20 | Bearing 2528-20 | 4 | |
| 3 | WC26SF | Spacer 2644-015 | 2 | |
| 4 | GB/T894.1-2000 | Circlip25 | 2 | |
| 5 | GB/T818-2000 | Screw M5*6 | 5 | |
| 6 | GB6170-2000 | Nut M5 | 4 | |
| 7 | ECU | Control module | 1 | |
| 8 | GB70-85 | Screw M6*50 | 2 | |
| 9 | JCPT1212HD-17220 | Valve | 1 | |
| 10 | GB6182-2000 | Bolt M8*25 | 4 | |
| 11 | GB93-87 | Washer 8 | 4 | |
| 12 | GB6170-2000 | Nut M8 | 6 | |
| 13 | JCPT1212HD-17230 | Valve seat | 1 | |
| 14 | JCPT1212HD-13003 | Oil Filter seat | 1 | |
| 15 | SP-06*10 | Oil Filter | 1 | |
| 16 | SP-06*10 | Oil pump | 1 | |
| 17 | OT200P14D/R21S2 | Electric motor | 1 | |
| 18 | WT-2430/100A | Nut M8 | 8 | |
| 19 | GB/T6170-2000 | Bolt M6*16 | 4 | |
| 20 | GB5783-2000 | Electric motor seat | 1 | |
| 21 | JCPT1212HD-13004 | Bolt M8*25 | 6 | |
| 22 | GB70.1-2000 | Bolt M8*25 | 6 | |
| 23 | GB5783-2000 | Motor control seat | 1 | |
| 24 | JCPT1212HD-13020 | Motor control | 1 | |
| 25 | 1204-038 | Bolt M6*16 | 4 | |
| 26 | GB/T93.1-2000 | Washer 8 | 14 | |
| 27 | GB97.1-2000 | Washer 8 | 20 | |
| 28 | GB/T70.1-2000 | Screw M8X30 | 2 | |
| 29 | JCPT1212HD-12002 | Lock seat | 1 | |
| 30 | JCPT0630-12012 | Lock | 1 | |
| 31 | GB/T818-2000 | Screw M6X20 | 6 | |
| 32 | GB/T93.1-2000 | Washer 6 | 10 | |

| NO. | Parts NO. | Description | QTY. | Remark |
|-----|------------------|--------------|------|--------|
| 33 | GB/T97.1-2000 | Washer 6 | 10 | |
| 34 | GB/T6170-2000 | Nut M6 | 4 | |
| 35 | JCPT1212HD-13100 | Oil pump box | 1 | |
| 38 | JCPT1212HD-13300 | Oil tank | 1 | |
| 39 | JCPT1212HD-13301 | Cover | 1 | |
| 40 | SH-768/DC -4V | Hour meter | 1 | |
| 41 | DJB-24C | Buzzer | 1 | |
| 42 | DL125G 24V | Horn | 1 | |

5.2 Power Unit Module — Hydraulic Motor Drive (Vertical Valve Manifolds)

JCPT0808HD, JCPT1008HD, JCPT1012HD, JCPT1212HD, JCPT1412HD

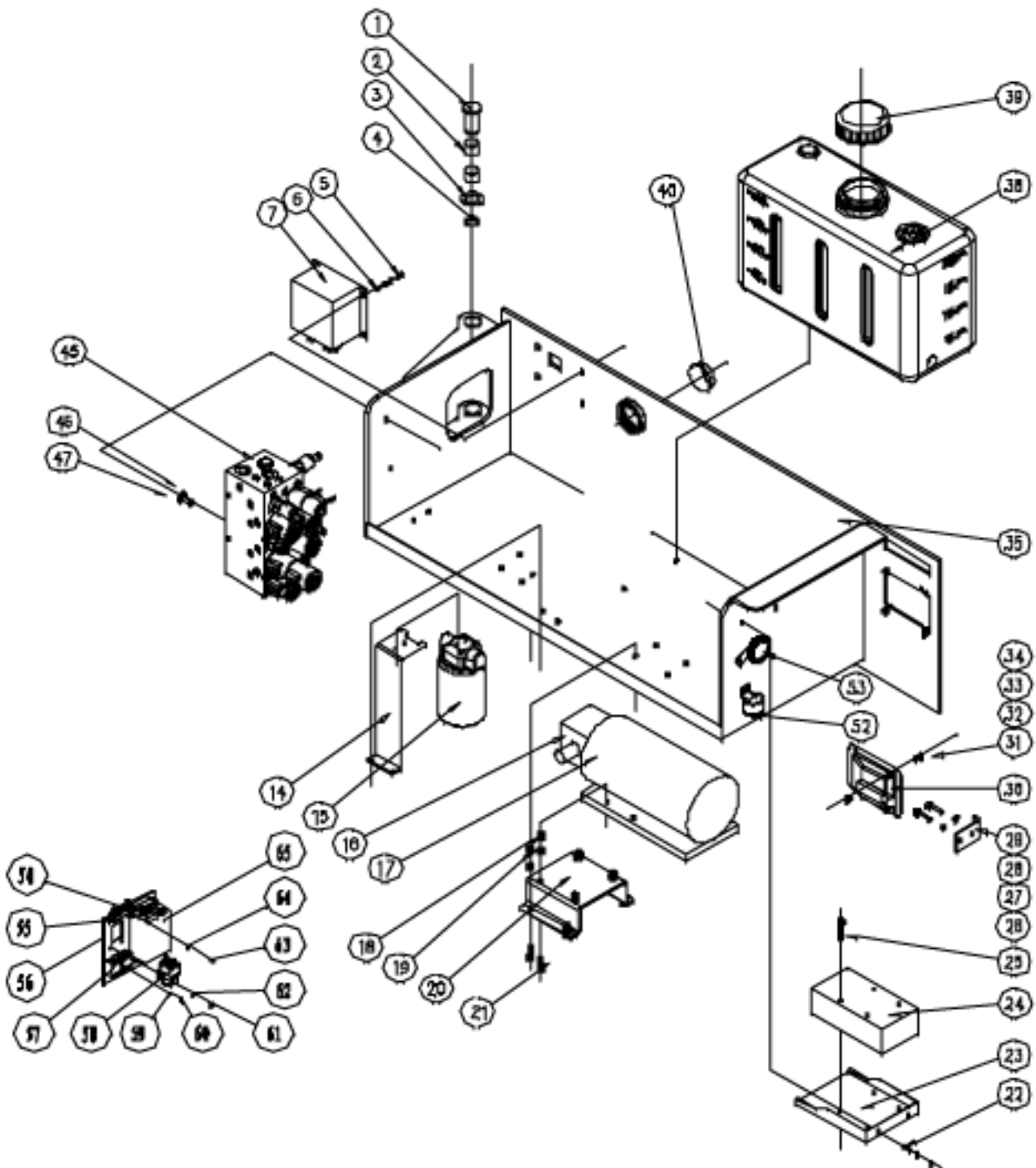


| NO. | Parts NO. | Description | QTY. | Remark |
|-----|------------------|------------------------|------|--------|
| 1 | JCPT1212HD-12001 | Gate shaft | 2 | |
| 2 | SF-1-2528-20 | Bearing 2528-20 | 4 | |
| 3 | WC26SF | Spacer 2644-015 | 2 | |
| 4 | GB/T894.1-2000 | Circlip 25 | 2 | |
| 5 | GB/T818-2000 | Screw M5*6 | 5 | |
| 6 | GB6170-2000 | Nut M5 | 4 | |
| 7 | ECU | Control module | 1 | |
| 8 | JCPT1212HD-13003 | Oil Filter seat | 1 | |
| 9 | SP-06*10 | Oil Filter | 1 | |
| 10 | OT200P14D/R21S2 | Oil pump | 1 | |
| 11 | WT-2430/100A | Electric motor | 1 | |
| 12 | GB/T6170-2000 | Nut M8 | 12 | |
| 13 | GB5783-2000 | Bolt M6*16 | 4 | |
| 14 | JCPT1212HD-13004 | Motor seat | 1 | |
| 15 | GB70.1-2000 | Bolt M8*25 | 6 | |
| 16 | GB5783-2000 | Bolt M8*25 | 10 | |
| 17 | JCPT1212HD-13020 | Seat | 1 | |
| 18 | 1204-038 | Electric motor control | 1 | |
| 19 | GB5783-2000 | Bolt M6*16 | 4 | |
| 20 | GB/T93.1-2000 | Washer 8 | 14 | |
| 21 | GB97.1-2000 | Washer 8 | 38 | |
| 22 | GB/T70.1-2000 | Screw M8x30 | 2 | |
| 23 | JCPT1212HD-12002 | Lock seat | 1 | |
| 24 | JCPT0630-12012 | Lock | 1 | |
| 25 | GB/T818-2000 | Screw M6X20 | 6 | |
| 26 | GB/T93.1-2000 | Washer 6 | 10 | |
| 27 | GB/T97.1-2000 | Washer 6 | 10 | |
| 28 | GB/T6170-2000 | Nut M6 | 4 | |
| 29 | JCPT1212HD-13100 | Oil pump box | 1 | |
| 30 | JCPT1212HD-13300 | Oil tank | 1 | |
| 31 | JCPT1212HD-13301 | Cover | 1 | |
| 32 | SH-768/DC-24V | Hour meter | 1 | |

| NO. | Parts NO. | Description | QTY. | Remark |
|-----|------------------|-------------|------|--------|
| 33 | JCPT1212HD-13220 | Valve | 1 | |
| 34 | GB93-87 | Washer 10 | 2 | |
| 35 | GB5783-2000 | Bolt M10*25 | 2 | |
| 36 | DL125G 24V | Horn | 1 | |
| 37 | DJB-24V | Buzzer | 1 | |

5.3 Power Unit Module — DC Motor Drive

JCPT0808DC, JCPT1008DC JCPT1012DC, JCPT1212DC, JCPT1412DC, JCPT1612DC

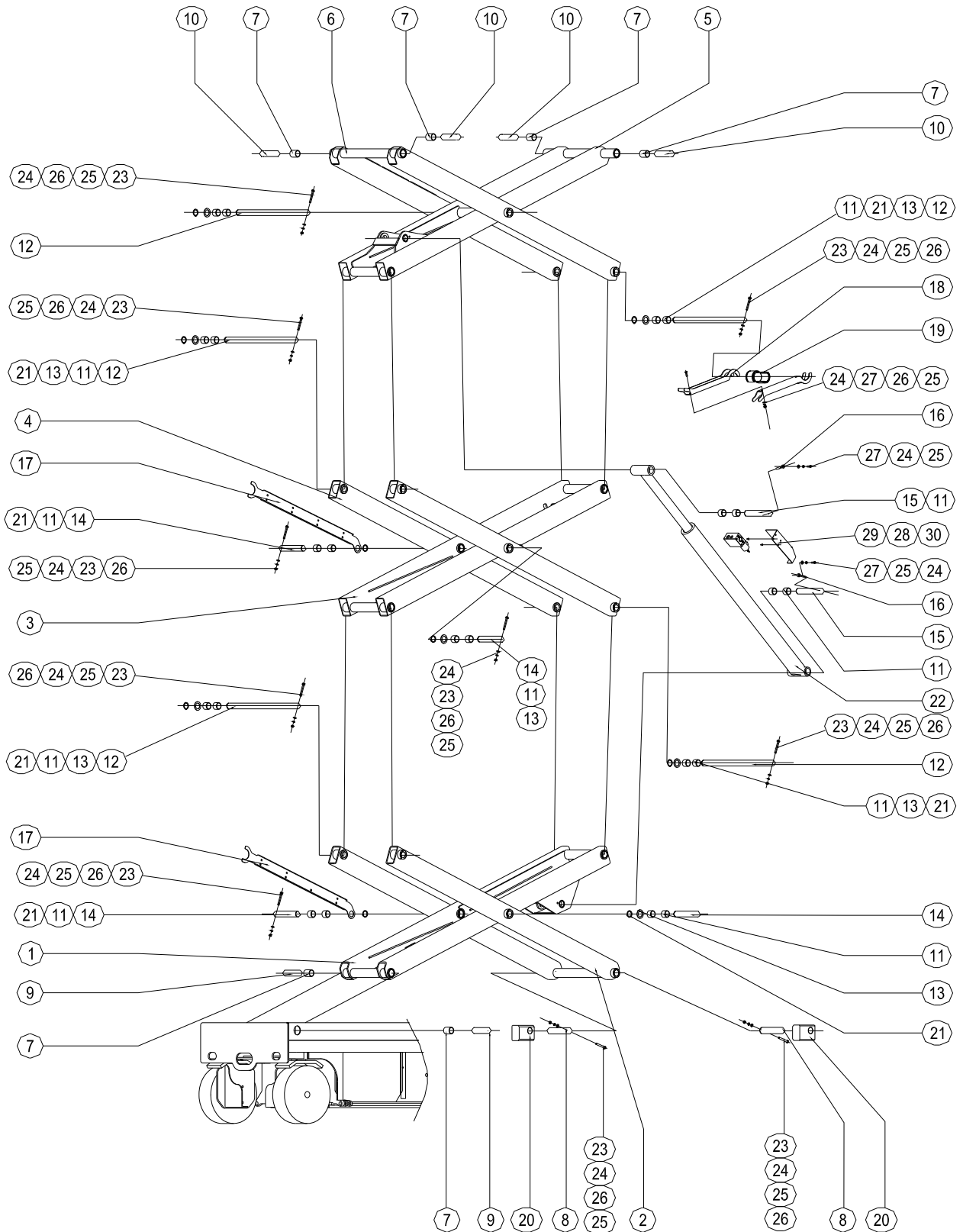


Zhejiang Dingli Machinery Co., Ltd

| NO. | Parts NO. | Description | QTY. | Remark |
|-----|------------------|----------------------------|------|---------|
| 1 | JCPT1212HD-12001 | Gate shaft | 2 | |
| 2 | SF-1-2528-20 | Bearing 2528-20 | 4 | |
| 3 | WC26SF | Spacer 2644-015 | 2 | |
| 4 | GB/T894.1-2000 | Circlip25 | 2 | |
| 5 | GB818-2000 | Screw M5*6 | 2 | Welding |
| 6 | GB6170-2000 | Nut M5 | 4 | |
| 7 | ECU | ECU | 1 | |
| 14 | JCPT1212HD-13003 | Oil Filter seat | 1 | |
| 15 | SP-06*10 | Oil Filter | 1 | |
| 16 | OT200P14D/R21S2 | Oil pump | 1 | |
| 17 | WT-2430/100A | Electric motor | 1 | |
| 18 | GB/T6170-2000 | Nut M8 | 7 | |
| 19 | GB5783-2000 | Bolt M6*16 | 4 | |
| 20 | JCPT1212HD-13004 | Electric motor seat | 1 | |
| 21 | GB5783-2000 | Bolt M8*25 | 4 | |
| 22 | GB5783-2000 | Bolt M8x25 | 11 | |
| 23 | JCPT1212HD-13020 | Pump motor controller seat | 1 | |
| 24 | 6204-038 | Pump motor controller | 1 | |
| 25 | GB5783-2000 | Bolt M6x16 | 4 | |
| 26 | JCPT1212HD-12002 | Lock seat | 1 | |
| 27 | GB/T70.1-2000 | Screw M8x30 | 1 | |
| 28 | GB97.1-2000 | Washer 8 | 20 | |
| 29 | GB/T93.1-2000 | Washer 8 | 14 | |
| 30 | JCPT0630-12012 | Lock | 1 | |
| 31 | GB/T93.1-2000 | Washer 6 | 10 | |
| 32 | GB/T97.1-2000 | Washer 6 | 10 | |
| 33 | GB/T818-2000 | Screw M6X20 | 6 | |
| 34 | GB/T6170-2000 | Nut M6 | 4 | |
| 35 | JCPT1212DC-13100 | Oil pump box | 1 | |
| | JCPT1612DC-13100 | Oil pump box | 1 | |
| 38 | JCPT1212HD-13300 | Oil tank | 1 | |
| 39 | JCPT1212HD-13301 | Cover | 1 | |
| 40 | SH-768/DC 24V | Hour meter | 1 | |
| 45 | JCPT1212HD-13220 | Valve block | 1 | |

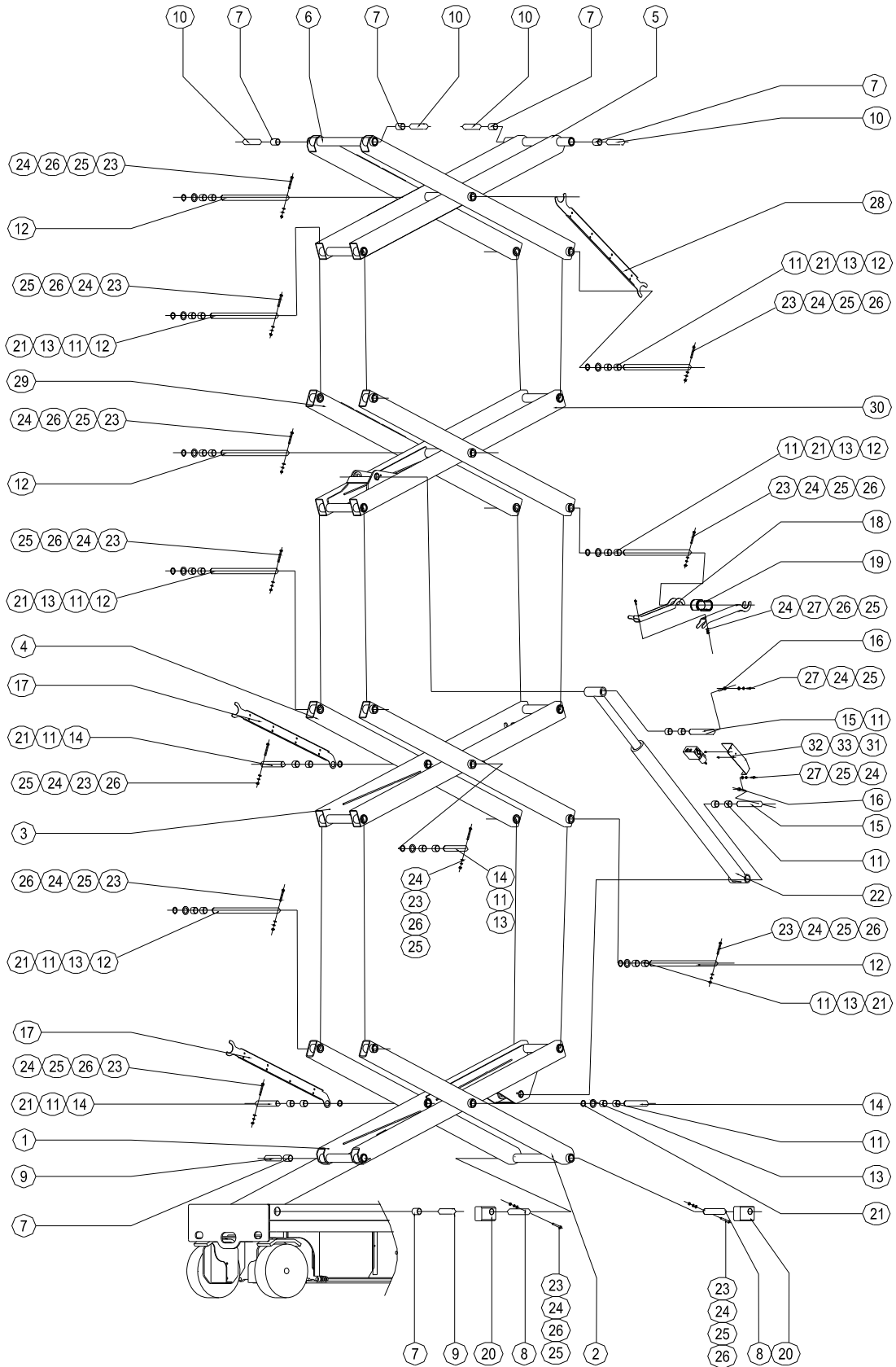
| NO. | Parts NO. | Description | QTY. | Remark |
|-----|------------------|-------------------------|------|--------|
| 46 | GB93-87 | Washer 10 | 2 | |
| 47 | GB5783-2000 | Bolt M10*25 | 2 | |
| 52 | DJB-24V | Buzzer | 1 | |
| 53 | DL125G 24V | Horn | 1 | |
| 54 | 250A | Fuse | 1 | |
| 55 | FBD-400A/1 | Fuse seat | 1 | |
| 56 | JCPT1212HD-13005 | Tie starp | 1 | |
| 57 | G3NA-D2120B | Solid-state relay (SSR) | 2 | |
| 58 | QCC26C100A | D. C. contactor | 1 | |
| 59 | GB/T97.1-2002 | Washer 3 | 4 | |
| 60 | GB/T70.2-2000 | Screw M3x8 | 4 | |
| 61 | GB/T70.2-2000 | Screw M5x10 | 2 | |
| 62 | GB/T97.1-2002 | Washer 5 | 2 | |
| 63 | GB5783-2000 | Bolt M4x10 | 3 | |
| 64 | GB/T97.1-2002 | Washer 4 | 3 | |
| 65 | CURT1S1243-4322 | Drive motor controller | 1 | |

6.1 Scissor Assembly — JCPT0808HD, JCPT0808DC



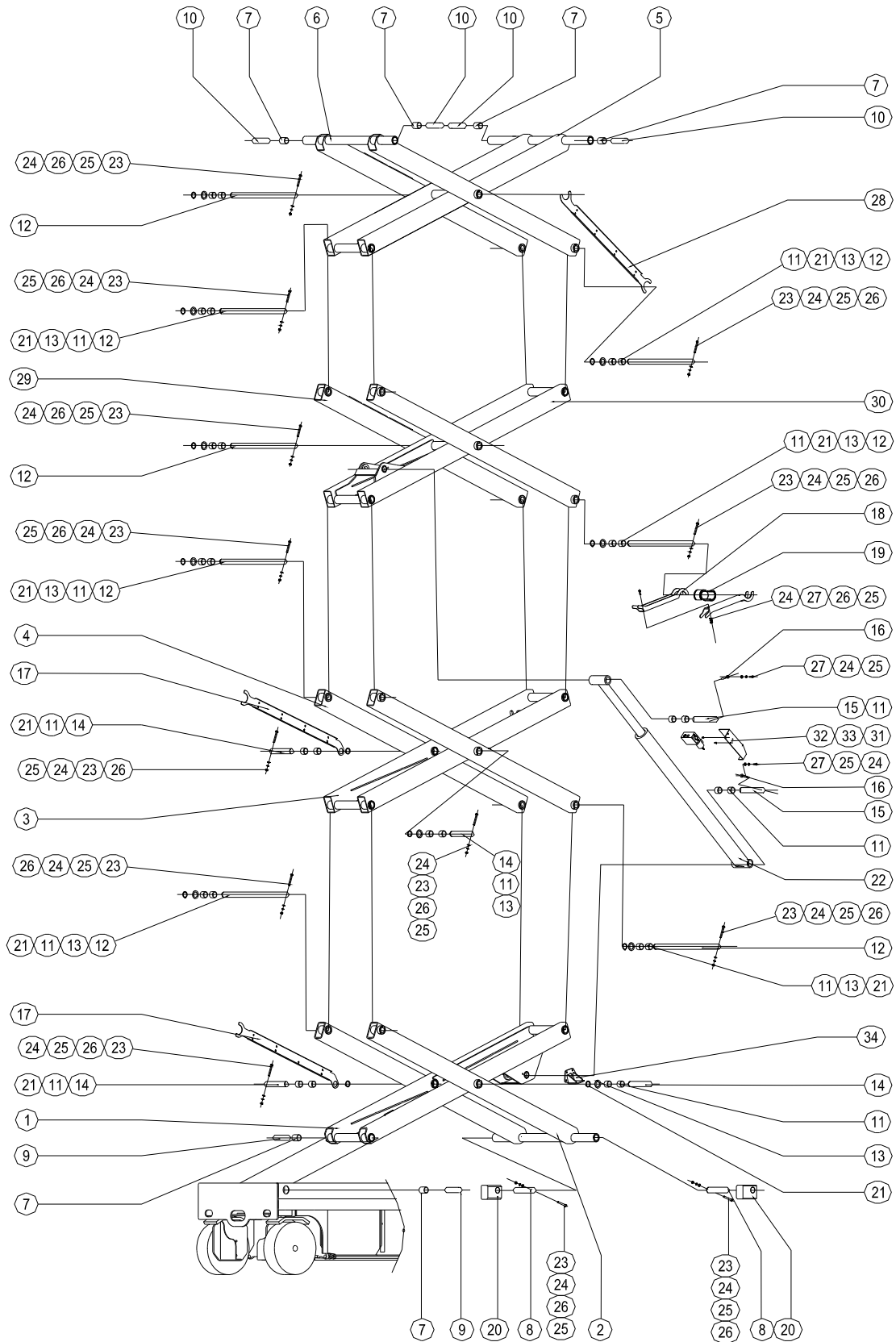
| NO. | Parts NO. | Description | Qty. | Remark |
|-----|-------------------|----------------------------|------|--------|
| 1 | JCPT1212HD-311100 | Inner Arm 1 | 1 | |
| 2 | JCPT0808HD-312100 | Outer Arm 1 | 1 | |
| 3 | JCPT0808HD-313100 | Inner Arm 2 | 1 | |
| 4 | JCPT1212HD-314100 | Outer Arm 2 | 1 | |
| 5 | JCPT0808HD-315100 | Inner Arm 3 | 1 | |
| 6 | JCPT0808HD-316100 | Outer Arm 3 | 1 | |
| 7 | GM2428-032 | Bearing1.75x1.5x2inches | 6 | |
| 8 | JCPT0808HD-310008 | Pin | 2 | |
| 9 | JCPT1212HD-310007 | Pin | 2 | |
| 10 | JCPT1212HD-310010 | Pin | 4 | |
| 11 | GM2428-020 | Bearing1.75x1.5x1.25inches | 22 | |
| 12 | JCPT1212HD-310005 | Pin | 5 | |
| 13 | JCPT1212HD-310003 | Washer | 7 | |
| 14 | JCPT1212HD-310002 | Pin | 4 | |
| 15 | JCPT1212HD-310004 | Pin | 2 | |
| 16 | JCPT1523RT-12003 | Pin | 2 | |
| 17 | JCPT1212HD-310034 | Tray Cable 1 | 2 | |
| 18 | JCPT1212HD-310021 | Safety Arm | 2 | |
| 19 | JCPT1212HD-310022 | Safety Arm Spacer | 2 | |
| 20 | JCPT1212HD-310009 | Block slide | 2 | |
| 21 | GB894.1-86 | Snap Ring D38 | 9 | |
| 22 | JCPT1212HD-53100 | Lift Cylinder | 1 | |
| 23 | GB/T 5782-2000 | Bolt M10x80 | 10 | |
| 24 | GB/T 97.1-2002 | Washer 10 | 14 | |
| 25 | GB/T 93-1987 | Washer 10 | 14 | |
| 26 | GB/T 6170-2000 | Nut M10 | 11 | |
| 27 | GB/T 5783-2000 | Bolt M8x25 | 4 | |
| 28 | DPH-0607B-10 | Valve | 1 | |
| 29 | JCPT1212HD-530111 | Cover | 1 | |
| 30 | GB70.1-2000 | Screw M6x10 | 2 | |

6.2 Scissor Assembly — JCPT1008HD, JCPT1008DC



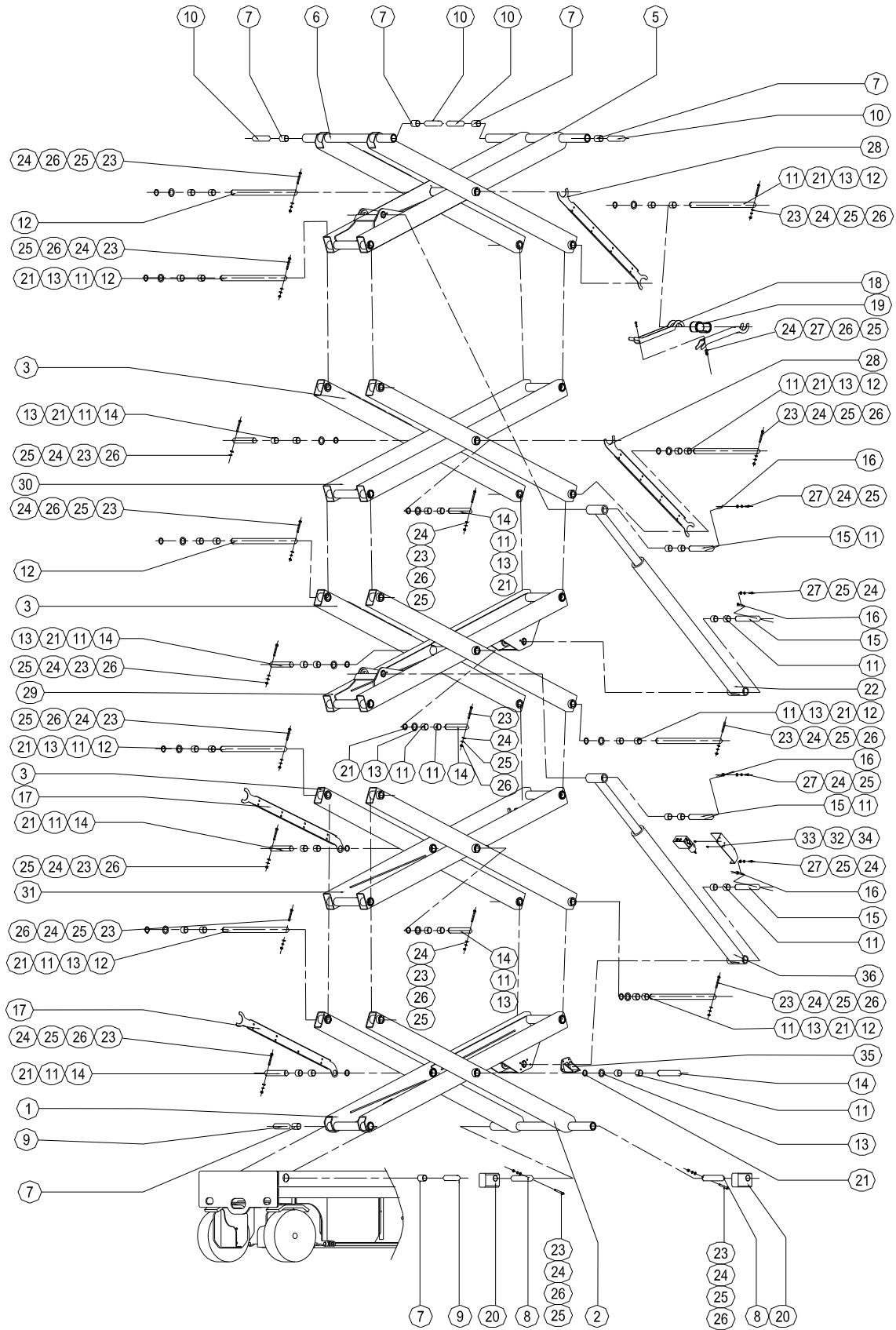
| NO. | Parts NO. | Description | Qty. | Remark |
|-----|-------------------|----------------------------|------|--------|
| 1 | JCPT1212HD-311100 | Inner Arm 1 | 1 | |
| 2 | JCPT0808HD-312100 | Outer Arm 1 | 1 | |
| 3 | JCPT0808HD-313100 | Inner Arm 2 | 1 | |
| 4 | JCPT1212HD-314100 | Outer Arm 2 | 1 | |
| 5 | JCPT0808HD-315100 | Inner Arm 3 | 1 | |
| 6 | JCPT0808HD-316100 | Outer Arm 3 | 1 | |
| 7 | GM2428-032 | Bearing1.75x1.5x2inches | 6 | |
| 8 | JCPT0808HD-310008 | Pin | 2 | |
| 9 | JCPT1212HD-310007 | Pin | 2 | |
| 10 | JCPT1212HD-310010 | Pin | 4 | |
| 11 | GM2428-020 | Bearing1.75x1.5x1.25inches | 28 | |
| 12 | JCPT1212HD-310005 | Pin | 8 | |
| 13 | JCPT1212HD-310003 | Washer | 10 | |
| 14 | JCPT1212HD-310002 | Pin | 4 | |
| 15 | JCPT1212HD-310004 | Pin | 2 | |
| 16 | JCPT1523RT-12003 | Pin | 2 | |
| 17 | JCPT1212HD-310034 | Tray Cable 1 | 2 | |
| 18 | JCPT1212HD-310021 | Safety Arm | 2 | |
| 19 | JCPT1212HD-310022 | Safety Arm Spacer | 2 | |
| 20 | JCPT1212HD-310009 | Block slide | 2 | |
| 21 | GB894.1-86 | Snap Ring D38 | 12 | |
| 22 | JCPT1212HD-53100 | Lift Cylinder | 1 | |
| 23 | GB/T 5782-2000 | Bolt M10x80 | 13 | |
| 24 | GB/T 97.1-2002 | Washer 10 | 17 | |
| 25 | GB/T 93-1987 | Washer 10 | 17 | |
| 26 | GB/T 6170-2000 | Nut M10 | 14 | |
| 27 | GB/T 5783-2000 | Bolt M8x25 | 4 | |
| 28 | JCPT1212HD-310036 | Tray Cable 2 | 1 | |
| 29 | JCPT1008HD-316100 | Outer Arm 3 | 1 | |
| 30 | JCPT1008HD-315100 | Inner Arm 3 | 1 | |
| 31 | DPH-0607B-10 | Valve | 1 | |
| 32 | JCPT1212HD-530111 | Cover | 1 | |
| 33 | GB70.1-2000 | Screw M6x10 | 2 | |

6.3 Scissor Assembly — JCPT1012HD, JCPT1012DC



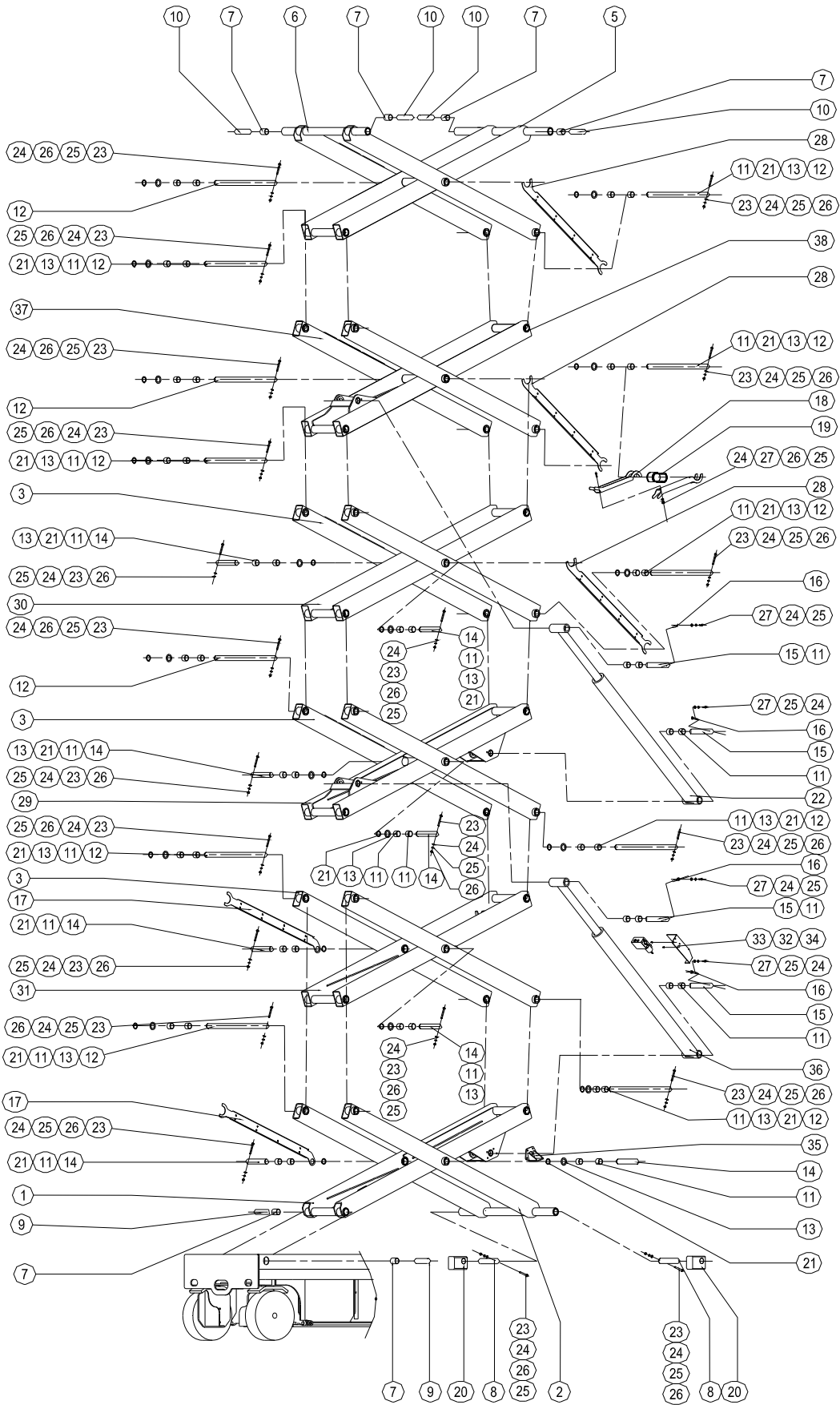
| NO. | Parts NO. | Description | Qty. | Remark |
|-----|-------------------|----------------------------|------|--------|
| 1 | JCPT1212HD-311100 | Inner Arm 1 | 1 | |
| 2 | JCPT1212HD-312100 | Outer Arm 1 | 1 | |
| 3 | JCPT0808HD-313100 | Inner Arm | 1 | |
| 4 | JCPT1212HD-314100 | Outer Arm | 1 | |
| 5 | JCPT1012HD-317100 | Inner Arm 4 | 1 | |
| 6 | JCPT1212HD-318100 | Outer Arm 5 | 1 | |
| 7 | GM2428-032 | Bearing1.75x1.5x2inches | 6 | |
| 8 | JCPT1212HD-310008 | Pin | 2 | |
| 9 | JCPT1212HD-310007 | Pin | 2 | |
| 10 | JCPT1212HD-310010 | Pin | 4 | |
| 11 | GM2428-020 | Bearing1.75x1.5x1.25inches | 28 | |
| 12 | JCPT1212HD-310005 | Pin | 8 | |
| 13 | JCPT1212HD-310003 | Washer | 10 | |
| 14 | JCPT1212HD-310002 | Pin | 4 | |
| 15 | JCPT1212HD-310004 | Pin | 2 | |
| 16 | JCPT1523RT-12003 | Pin | 2 | |
| 17 | JCPT1212HD-310034 | Tray Cable 1 | 2 | |
| 18 | JCPT1212HD-310021 | Safety Arm | 2 | |
| 19 | JCPT1212HD-310022 | Safety Arm Spacer | 2 | |
| 20 | JCPT1212HD-310009 | Block slide | 2 | |
| 21 | GB894.1-86 | Snap Ring D38 | 12 | |
| 22 | JCPT1212HD-53100 | Lift Cylinder | 1 | |
| 23 | GB/T 5782-2000 | Bolt M10x80 | 13 | |
| 24 | GB/T 97.1-2002 | Washer 10 | 17 | |
| 25 | GB/T 93-1987 | Washer 10 | 17 | |
| 26 | GB/T 6170-2000 | Nut M10 | 14 | |
| 27 | GB/T 5783-2000 | Bolt M8x25 | 4 | |
| 28 | JCPT1212HD-310036 | Tray Cable 2 | 1 | |
| 29 | JCPT1008HD-316100 | Outer Arm 3 | 1 | |
| 30 | JCPT1008HD-315100 | Inner Arm 3 | 1 | |
| 31 | DPH-0607B-10 | Valve | 1 | |
| 32 | JCPT1212HD-530111 | Cover | 1 | |
| 33 | GB70.1-2000 | Screw M6x10 | 2 | |
| 34 | JCPT1212HD-310060 | Pothole Protector, Main | 2 | |

6.4 Scissor Assembly — JCPT1212HD, JCPT1212DC



| NO. | Parts NO. | Description | Qty. | Remark |
|-----|-------------------|----------------------------|------|--------|
| 1 | JCPT1212HD-311100 | Inner Arm 1 | 1 | |
| 2 | JCPT1212HD-312100 | Outer Arm 1 | 1 | |
| 3 | JCPT1212HD-314100 | Outer Arm | 3 | |
| 5 | JCPT1212HD-319100 | Inner Arm 5 | 1 | |
| 6 | JCPT1212HD-318100 | Outer Arm 5 | 1 | |
| 7 | GM2428-032 | Bearing1.75x1.5x2inches | 6 | |
| 8 | JCPT1212HD-310008 | Pin | 2 | |
| 9 | JCPT1212HD-310007 | Pin | 2 | |
| 10 | JCPT1212HD-310010 | Pin | 4 | |
| 11 | GM2428-020 | Bearing1.75x1.5x1.25inches | 42 | |
| 12 | JCPT1212HD-310005 | Pin | 9 | |
| 13 | JCPT1212HD-310003 | Washer | 15 | |
| 14 | JCPT1212HD-310002 | Pin | 6 | |
| 15 | JCPT1212HD-310004 | Pin | 4 | |
| 16 | JCPT1523RT-12003 | Pin | 4 | |
| 17 | JCPT1212HD-310034 | Tray Cable 1 | 2 | |
| 18 | JCPT1212HD-310021 | Safety Arm | 2 | |
| 19 | JCPT1212HD-310022 | Safety Arm Spacer | 2 | |
| 20 | JCPT1212HD-310009 | Block slide | 2 | |
| 21 | GB894.1-86 | Snap Ring D38 | 17 | |
| 22 | JCPT0808HD-503100 | Lift Cylinder | 1 | |
| 23 | GB/T 5782-2000 | Bolt M10x80 | 17 | |
| 24 | GB/T 97.1-2002 | Washer 10 | 24 | |
| 25 | GB/T 93-1987 | Washer 10 | 24 | |
| 26 | GB/T 6170-2000 | Nut M10 | 18 | |
| 27 | GB/T 5783-2000 | Bolt M8x25 | 6 | |
| 28 | JCPT1212HD-310036 | Tray Cable 2 | 2 | |
| 29 | JCPT1212HD-315100 | Inner Arm 3 | 1 | |
| 30 | JCPT1212HD-317100 | Inner Arm 4 | 1 | |
| 31 | JCPT1212HD-313100 | Inner Arm 2 | 1 | |
| 32 | DPH-0607B-10 | Valve | 1 | |
| 33 | JCPT1212HD-530111 | Cover | 1 | |
| 34 | GB70.1-2000 | Screw M6x10 | 2 | |
| 35 | JCPT1212HD-310060 | Pothole Protector, Main | 2 | |
| 36 | JCPT1212HD-53100 | Lift Cylinder | 1 | |

6.5 Scissor Assembly — JCPT1412HD, JCPT1412DC

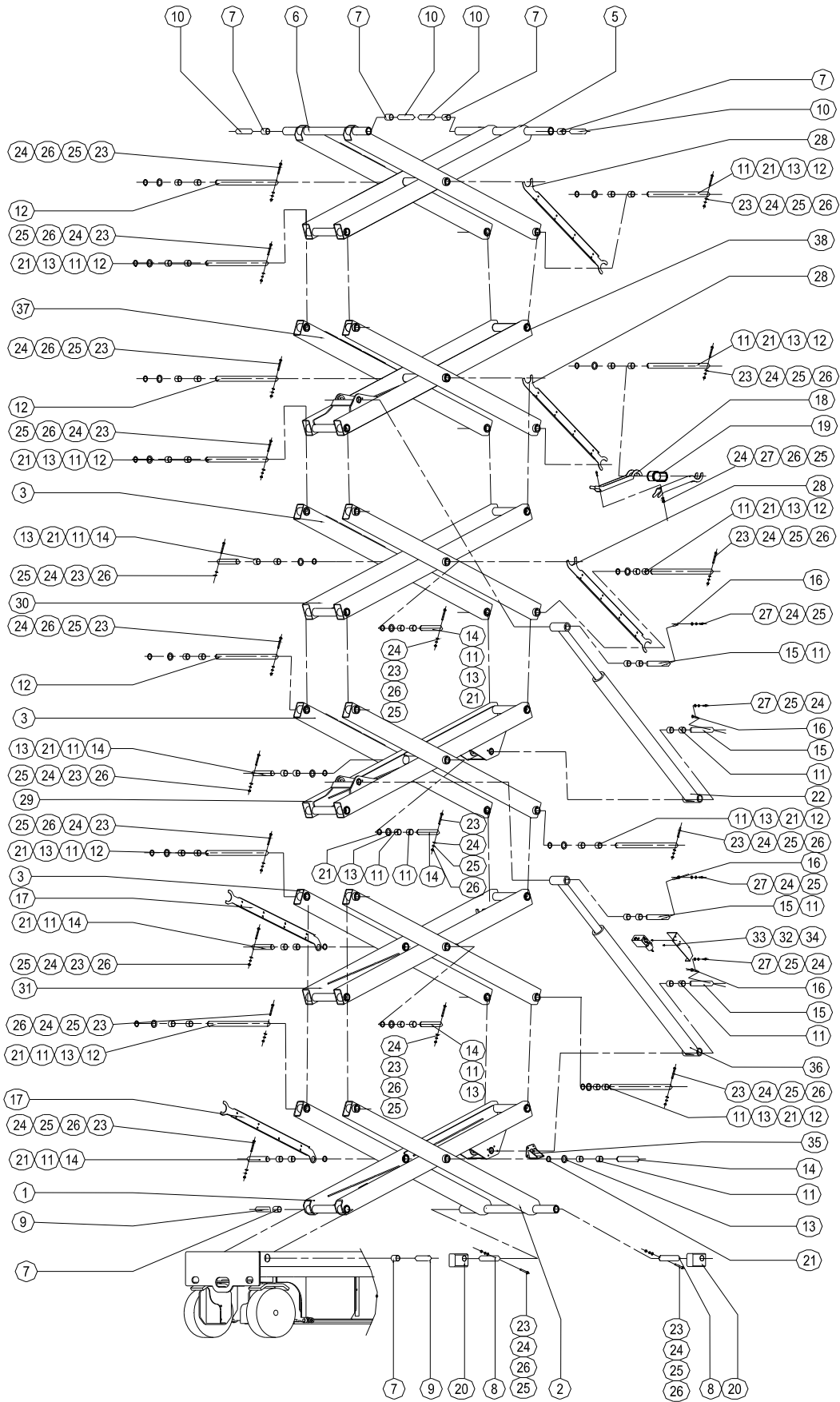


Zhejiang Dingli Machinery Co., Ltd

| NO. | Parts NO. | Description | Qty. | Remark |
|-----|-------------------|----------------------------|------|--------|
| 1 | JCPT1212HD-311100 | Inner Arm 1 | 1 | |
| 2 | JCPT1212HD-312100 | Outer Arm 1 | 1 | |
| 3 | JCPT1212HD-314100 | Outer Arm | 3 | |
| 5 | JCPT1012HD-317100 | Inner Arm 4 | 1 | |
| 6 | JCPT1212HD-318100 | Outer Arm 5 | 1 | |
| 7 | GM2428-032 | Bearing1.75x1.5x2inches | 6 | |
| 8 | JCPT1212HD-310008 | Pin | 2 | |
| 9 | JCPT1212HD-310007 | Pin | 2 | |
| 10 | JCPT1212HD-310010 | Pin | 4 | |
| 11 | GM2428-020 | Bearing1.75x1.5x1.25inches | 48 | |
| 12 | JCPT1212HD-310005 | Pin | 10 | |
| 13 | JCPT1212HD-310003 | Washer | 18 | |
| 14 | JCPT1212HD-310002 | Pin | 8 | |
| 15 | JCPT1212HD-310004 | Pin | 4 | |
| 16 | JCPT1523RT-12003 | Pin | 4 | |
| 17 | JCPT1212HD-310034 | Tray Cable 1 | 2 | |
| 18 | JCPT1212HD-310021 | Safety Arm | 2 | |
| 19 | JCPT1212HD-310022 | Safety Arm Spacer | 3 | |
| 20 | JCPT1212HD-310009 | Block slide | 2 | |
| 21 | GB894.1-86 | Snap Ring D38 | 17 | |
| 22 | JCPT0808HD-503100 | Lift Cylinder | 1 | |
| 23 | GB/T 5782-2000 | Bolt M10x80 | 23 | |
| 24 | GB/T 97.1-2002 | Washer 10 | 30 | |
| 25 | GB/T 93-1987 | Washer 10 | 30 | |
| 26 | GB/T 6170-2000 | Nut M10 | 24 | |
| 27 | GB/T 5783-2000 | Bolt M8x25 | 6 | |
| 28 | JCPT1212HD-310036 | Tray Cable 2 | 2 | |
| 29 | JCPT1212HD-315100 | Inner Arm 3 | 1 | |
| 30 | JCPT1212HD-317100 | Inner Arm 4 | 1 | |
| 31 | JCPT1212HD-313100 | Inner Arm 2 | 1 | |
| 32 | DPH-0607B-10 | Valve | 1 | |
| 33 | JCPT1212HD-530111 | Cover | 1 | |

| NO. | Parts NO. | Description | Qty. | Remark |
|-----|-------------------|-------------------------|------|--------|
| 34 | GB70.1-2000 | Screw M6x10 | 2 | |
| 35 | JCPT1212HD-310060 | Pothole Protector, Main | 2 | |
| 36 | JCPT1212HD-53100 | Lift Cylinder | 1 | |
| 37 | JCPT1008HD-316100 | Outer Arm 3 | 1 | |
| 38 | JCPT1008HD-315100 | Inner Arm 3 | 1 | |

6.6 Scissor Assembly — JCPT1612DC

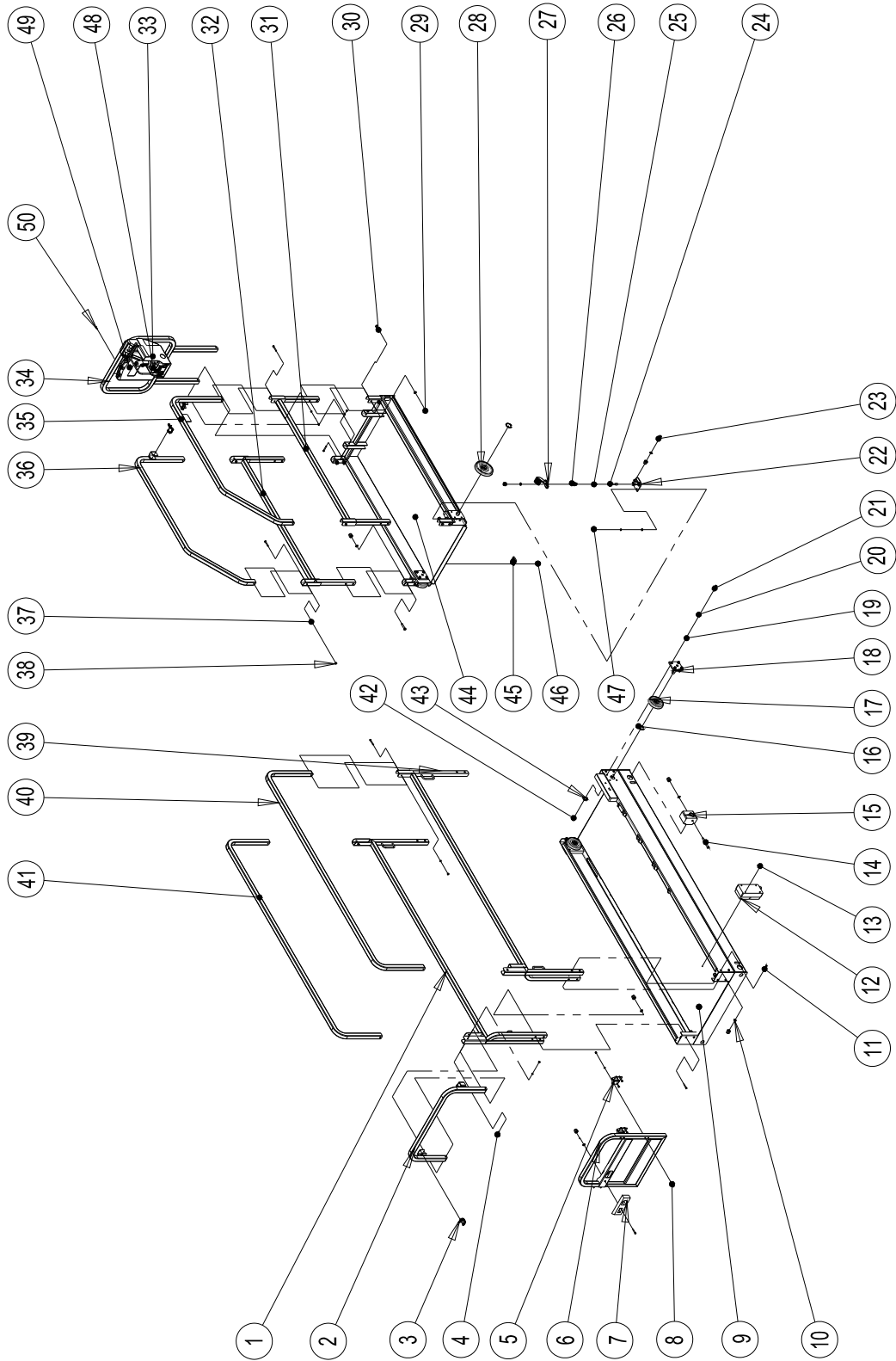


| NO. | Parts NO. | Description | Qty. | Remark |
|-----|--------------------|----------------------------|------|--------|
| 1 | JCPT1612DC-311100 | Inner Arm 1 | 1 | |
| 2 | JCPT1612DC-312100 | Outer Arm 1 | 1 | |
| 3 | JCPT1612DC-314100 | Outer Arm2-5 | 4 | |
| 5 | JCPT1612DC-317100 | Inner Arm 4 | 1 | |
| 6 | JCPT1612DC-318100 | Outer Arm 5 | 1 | |
| 7 | GM2428-032 | Bearing1.75x1.5x2inches | 6 | |
| 8 | JCPT1212HD-310008 | Pin | 2 | |
| 9 | JCPT1212HD-310007 | Pin | 2 | |
| 10 | JCPT1212HD-310010 | Pin | 4 | |
| 11 | GM2428-020 | Bearing1.75x1.5x1.25inches | 48 | |
| 12 | JCPT1212HD-310005 | Pin | 10 | |
| 13 | JCPT1212HD-310003 | Washer | 18 | |
| 14 | JCPT1212HD-310002 | Pin | 8 | |
| 15 | JCPT1212HD-310004 | Pin | 4 | |
| 16 | JCPT1523RT-12003 | Pin | 4 | |
| 17 | JCPT1612DC-310034 | Tray Cable 1 | 2 | |
| 18 | JCPT1212HD-310021 | Safety Arm | 2 | |
| 19 | JCPT1212HD-310022 | Safety Arm Spacer | 3 | |
| 20 | JCPT1212HD-310009 | Block slide | 2 | |
| 21 | GB894.1-86 | Snap Ring D38 | 17 | |
| 22 | JCPT1612DC -531000 | Lift Cylinder | 1 | |
| 23 | GB/T 5782-2000 | Bolt M10x80 | 23 | |
| 24 | GB/T 97.1-2002 | Washer 10 | 30 | |
| 25 | GB/T 93-1987 | Washer 10 | 30 | |
| 26 | GB/T 6170-2000 | Nut M10 | 24 | |
| 27 | GB/T 5783-2000 | Bolt M8x25 | 6 | |
| 28 | JCPT1612DC-310036 | Tray Cable 2 | 2 | |
| 29 | JCPT1612DC-315100 | Inner Arm 3 | 1 | |
| 30 | JCPT1612DC-317100 | Inner Arm 4 | 1 | |
| 31 | JCPT1612DC-313100 | Inner Arm 2 | 1 | |
| 32 | DPH-0607B-10 | Valve | 1 | |
| 33 | JCPT1212HD-530111 | Cover | 1 | |

| NO. | Parts NO. | Description | Qty. | Remark |
|-----|--------------------|-------------------------|------|--------|
| 34 | GB70.1-2000 | Screw M6x10 | 2 | |
| 35 | JCPT1212HD-310060 | Pothole Protector, Main | 2 | |
| 36 | JCPT1612DC -532000 | Lift Cylinder | 1 | |
| 38 | JCPT1612DC-315100 | Inner Arm 3 | 1 | |

7.1 Platform Components — JCPTXX08HD, JCPTXX08DC

JCPT0808HD, JCPT1008HD, JCPT0808DC, JCPT1008DC

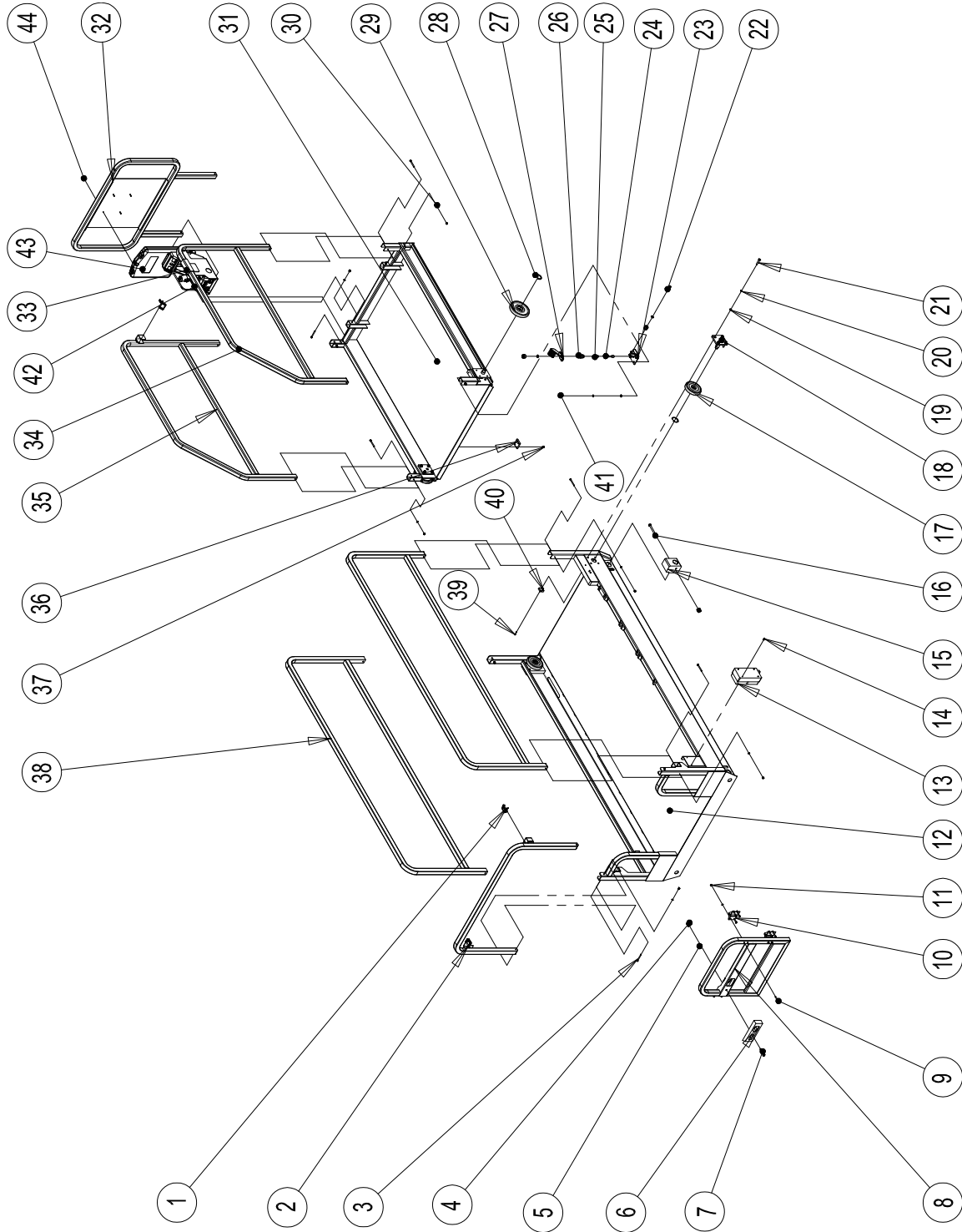


| No. | Parts No. | Description | Qty | Remark |
|-----|-------------------|----------------------------|-----|--------|
| 1 | JCPT0808HD-141820 | Rail, Side Options(Left) | 1 | |
| 2 | JCPT0808HD-141700 | Rail, End Options | 1 | |
| 3 | JCPT1212HD-41001 | Lanyard 6x45 | 4 | |
| 4 | GB/T 5782-2000 | Bolt M6x50 | 12 | |
| 5 | TYHY6957-8020 | Hinge 31 | 2 | |
| 6 | JCPT0808HD-141610 | Door | 1 | |
| 7 | JCPT1212HD-41601 | Doorknob | 1 | |
| 8 | GB/T 5782-2000 | Bolt M6x50 | 8 | |
| 9 | JCPT0808HD-141100 | Singe Deck Extension | 1 | |
| 10 | GB/T 97.1-2002 | Washer 10 | 25 | |
| 11 | GB/T 5782-2000 | Bolt M10x50 | 13 | |
| 12 | CLS-103 | Switch | 1 | |
| 13 | GB/T 818-2000 | Bolt M5x12-H | 4 | |
| 14 | GB/T 5780-2000 | Bolt M10x100 | 2 | |
| 15 | JCPT1212HD-41004 | Slippage Of Block | 4 | |
| 16 | GB 893.1-86 | Ring 47 | 4 | |
| 17 | JCPT1212HD-41018 | Trolley | 2 | |
| 18 | JCPT1212HD-41030 | Trolley seat | 4 | |
| 19 | GB/T 97.1-2002 | Washer 8 | 18 | |
| 20 | GB/T 93-1987 | Washer 8 | 18 | |
| 21 | GB/T 5780-2000 | Bolt M8x45 | 16 | |
| 22 | JCPT1212HD-41930 | Bracket | 1 | |
| 23 | GB / T5780-2000 | Bolt M10x45 | 1 | |
| 24 | JCPT1212HD-41923 | Pin | 1 | |
| 25 | JCPT1212HD-41921 | Spring | 1 | |
| 26 | JCPT1212HD-41922 | Columella | 1 | |
| 27 | JCPT1212HD-41910 | Stance | 1 | |
| 28 | JCPT1212HD-41017 | Trolley 2 | 2 | |
| 29 | GB/T 6182-2000 | Nut M10 | 25 | |
| 30 | GB/T 5782-2000 | Bolt M10x55 | 8 | |
| 31 | JCPT0808HD-141310 | Rail, Side Extension (Low) | 1 | |
| 32 | JCPT0808HD-141330 | Rail, Side Extension (Low) | 1 | |

| No. | Parts No. | Description | Qty | Remark |
|-----|-------------------|------------------------------|-----|--------|
| 33 | JCPT1212HD-41019 | Seat, Controller | 1 | |
| 34 | JCPT0808HD-141340 | Rail, End Extension | 1 | |
| 35 | JCPT0808HD-141320 | Rail, Side Extension (Right) | 1 | |
| 36 | JCPT0808HD-141350 | Rail, Side Extension (Left) | 1 | |
| 37 | GB/T 97.1-2002 | Washer 6 | 20 | |
| 38 | GB/T 6182-2000 | Nut M6 | 20 | |
| 39 | JCPT0808HD-141420 | Rail, Side Options(Right) | 1 | |
| 40 | JCPT0808HD-141410 | Rail, Side Options(High) | 1 | |
| 41 | JCPT0808HD-141810 | Rail, Side Options(High) | 1 | |
| 42 | GB/T 70.1-2000 | Bolt M4×25 | 4 | |
| 43 | JCPT1212HD-41002 | Fastener | 2 | |
| 44 | JCPT0808HD-141200 | Deck, Extension | 1 | |
| 45 | JCPT1212HD-41206 | Slippage Of Crutch | 2 | |
| 46 | GB/T 70.3-2000 | Bolt M5×12 | 8 | |
| 47 | GB/T 5783-2000 | Bolt M8×16 | 2 | |
| 48 | AMWP106-44400A | Controller | 1 | |
| 49 | GTBZ16A-43500 | Handbook, Box | 1 | |
| 50 | GB/T 70.2-2000 | Bolt M5×20 | 4 | |

7. 2 Platform Components — JCPTXX12HD, JCPTXX12DC

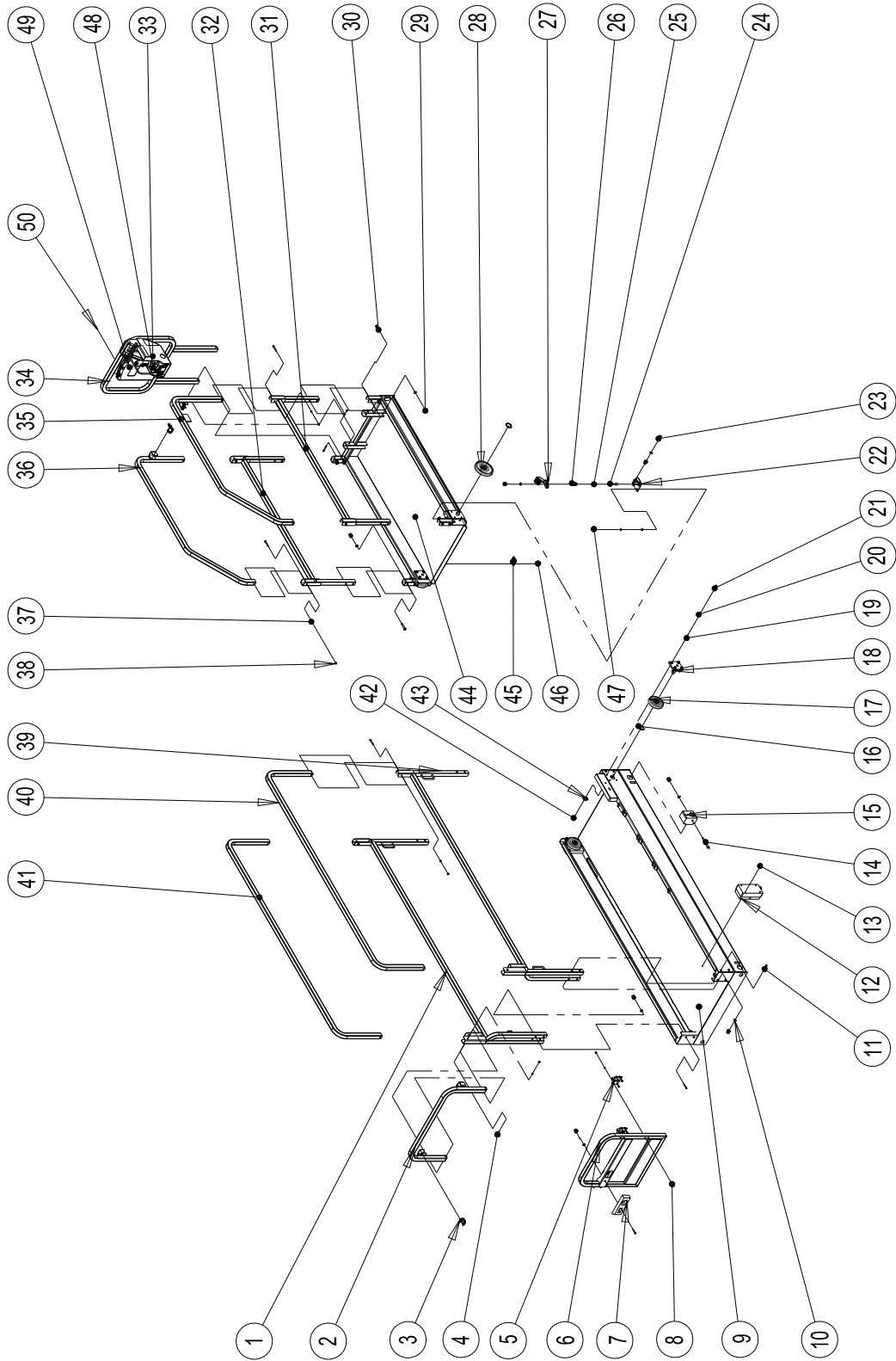
JCPT1012HD, JCPT1212HD, JCPT1412HD, JCPT1012DC, JCPT1212DC, JCPT1412DC



| No. | Parts No. | Description | Qty | Remark |
|-----|-------------------|----------------------|-----|--------|
| 1 | JCPT1212HD-41001 | Lanyard 6x45 | 4 | |
| 2 | JCPT1212HD-141700 | Rail, End Options | 1 | |
| 3 | GB/T 5782-2000 | Bolt M6x60 | 12 | |
| 4 | GB/T 6182-2000 | Nut M10 | 5 | |
| 5 | GB/T 97.1-2002 | Washer 10 | 5 | |
| 6 | JCPT1212HD-41601 | Doorknob | 1 | |
| 7 | GB / T5782-2000 | Bolt M10x55 | 1 | |
| 8 | JCPT1212HD-141610 | Door | 1 | |
| 9 | GB/T 5782-2000 | Bolt M6x50 | 8 | |
| 10 | TYHY6957-8020 | Hinge 31 | 2 | |
| 11 | GB/T 6182-2000 | Nut M6 | 20 | |
| 12 | JCPT1212HD-141100 | Singe Deck Extension | 1 | |
| 13 | CLS-103 | Switch | 1 | |
| 14 | GB/T 818-2000 | Bolt M5x12-H | 4 | |
| 15 | JCPT1212HD-41004 | Slippage Of Block | 4 | |
| 16 | GB/T 5780-2000 | Bolt M10x100 | 2 | |
| 17 | JCPT1212HD-41018 | Trolley | 2 | |
| 18 | JCPT1212HD-41030 | Trolley seat | 4 | |
| 19 | GB/T 97.1-2002 | Washer 8 | 18 | |
| 20 | GB/T 93-1987 | Washer 8 | 18 | |
| 21 | GB/T 5780-2000 | Bolt M8x45 | 16 | |
| 22 | GB / T5780-2000 | Bolt M10x45 | 1 | |
| 23 | JCPT1212HD-41930 | Bracket | 1 | |
| 24 | JCPT1212HD-41923 | Pin | 1 | |
| 25 | JCPT1212HD-41921 | Spring | 1 | |
| 26 | JCPT1212HD-41922 | Columella | 1 | |
| 27 | JCPT1212HD-41910 | Stance | 1 | |
| 28 | GB 893.1-86 | Circlip 47 | 4 | |
| 29 | JCPT1212HD-41017 | Trolley 2 | 2 | |
| 30 | GB/T 97.1-2002 | Washer 6 | 20 | |
| 31 | JCPT1212HD-141200 | Deck, Extension | 1 | |
| 32 | JCPT1212HD-141320 | Rail, End Extension | 1 | |

| No. | Parts No. | Description | Qty | Remark |
|-----|-------------------|------------------------------|-----|--------|
| 33 | JCPT1212HD-41019 | Seat, Controller | 1 | |
| 34 | JCPT1212HD-141330 | Rail, Side Extension (Left) | 1 | |
| 35 | JCPT1212HD-141310 | Rail, Side Extension (Right) | 1 | |
| 36 | JCPT1212HD-41206 | Slippage Of Crutch | 2 | |
| 37 | GB/T 70.3-2000 | Bolt M5×12 | 8 | |
| 38 | JCPT1212HD-141400 | Rail, Side Options | 2 | |
| 39 | GB/T 70.1-2000 | Bolt M4×25 | 4 | |
| 40 | JCPT1212HD-41002 | Fastener | 2 | |
| 41 | GB/T 5783-2000 | Bolt M8×16 | 2 | |
| 42 | AMWP106-44400A | Controller | 1 | |
| 43 | GTBZ16A-43500 | Handbook, Box | 1 | |
| 44 | GB/T 70.2-2000 | Bolt M5×20 | 4 | |

7.3 Platform Components — JCPT1612DC



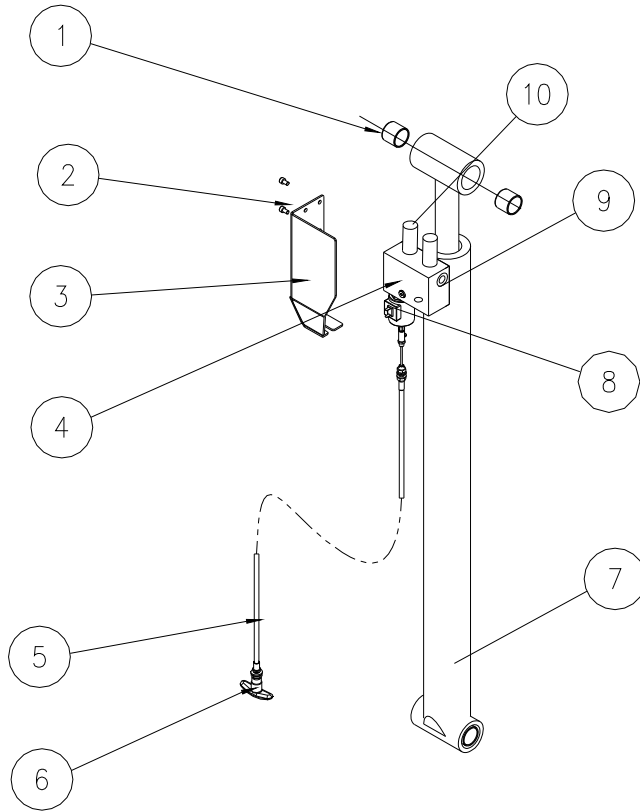
| No. | Parts No. | Description | Qty | Remark |
|-----|-------------------|----------------------------|-----|--------|
| 1 | JCPT1612DC-041420 | Rail, Side Options(Left) | 1 | |
| 2 | JCPT0808HD-141700 | Rail, End Options | 1 | |
| 3 | JCPT1212HD-41001 | Lanyard 6x45 | 4 | |
| 4 | GB/T 5782-2000 | Bolt M6x50 | 12 | |
| 5 | TYHY6957-8020 | Hinge 31 | 2 | |
| 6 | JCPT0808HD-141610 | Door | 1 | |
| 7 | JCPT1212HD-41601 | Doorknob | 1 | |
| 8 | GB/T 5782-2000 | Bolt M6x50 | 8 | |
| 9 | JCPT1612DC-041000 | Singe Deck Extension | 1 | |
| 10 | GB/T 97.1-2002 | Washer 10 | 25 | |
| 11 | GB/T 5782-2000 | Bolt M10x50 | 13 | |
| 12 | | Outlet | 1 | |
| 13 | GB/T 818-2000 | Bolt M5x12-H | 4 | |
| 14 | GB/T 5780-2000 | Bolt M10x100 | 2 | |
| 15 | JCPT1212HD-41004 | Slippage Of Block | 4 | |
| 16 | GB 893.1-86 | Ring 47 | 4 | |
| 17 | JCPT1212HD-41018 | Trolley | 2 | |
| 18 | JCPT1612DC-041030 | Trolley seat | 4 | |
| 19 | GB/T 97.1-2002 | Washer 8 | 18 | |
| 20 | GB/T 93-1987 | Washer 8 | 18 | |
| 21 | GB/T 5780-2000 | Bolt M8x45 | 16 | |
| 22 | JCPT1212HD-41930 | Bracket | 1 | |
| 23 | GB / T5780-2000 | Bolt M10x45 | 1 | |
| 24 | JCPT1212HD-41923 | Pin | 1 | |
| 25 | JCPT1212HD-41921 | Spring | 1 | |
| 26 | JCPT1212HD-41922 | Columella | 1 | |
| 27 | JCPT1212HD-41910 | Stance | 1 | |
| 28 | JCPT1212HD-41017 | Trolley 2 | 2 | |
| 29 | GB/T 6182-2000 | Nut M10 | 25 | |
| 30 | GB/T 5782-2000 | Bolt M10x55 | 8 | |
| 31 | JCPT0808HD-141310 | Rail, Side Extension (Low) | 1 | |
| 32 | JCPT0808HD-141330 | Rail, Side Extension (Low) | 1 | |

| No. | Parts No. | Description | Qty | Remark |
|-----|-------------------|------------------------------|-----|--------|
| 33 | JCPT1212HD-41019 | Seat, Controller | 1 | |
| 34 | JCPT0808HD-141340 | Rail, End Extension | 1 | |
| 35 | JCPT0808HD-141320 | Rail, Side Extension (Right) | 1 | |
| 36 | JCPT0808HD-141350 | Rail, Side Extension (Left) | 1 | |
| 37 | GB/T 97.1-2002 | Washer 6 | 20 | |
| 38 | GB/T 6182-2000 | Nut M6 | 20 | |
| 39 | JCPT1612DC-041420 | Rail, Side Options(Right) | 1 | |
| 40 | JCPT1612DC-041410 | Rail, Side Options(High) | 1 | |
| 41 | JCPT1612DC-041410 | Rail, Side Options(High) | 1 | |
| 42 | GB/T 70.1-2000 | Bolt M4x25 | 4 | |
| 43 | JCPT1212HD-41002 | Fastener | 2 | |
| 44 | JCPT1612DC-042000 | Deck, Extension | 1 | |
| 45 | JCPT1212HD-41206 | Slippage Of Crutch | 2 | |
| 46 | GB/T 70.3-2000 | Bolt M5x12 | 8 | |
| 47 | GB/T 5783-2000 | Bolt M8x16 | 2 | |
| 48 | AMWP106-44400A | Controller | 1 | |
| 49 | GTBZ16A-43500 | Handbook, Box | 1 | |
| 50 | GB/T 70.2-2000 | Bolt M5x20 | 4 | |

8.1 Hydraulic Cylinder

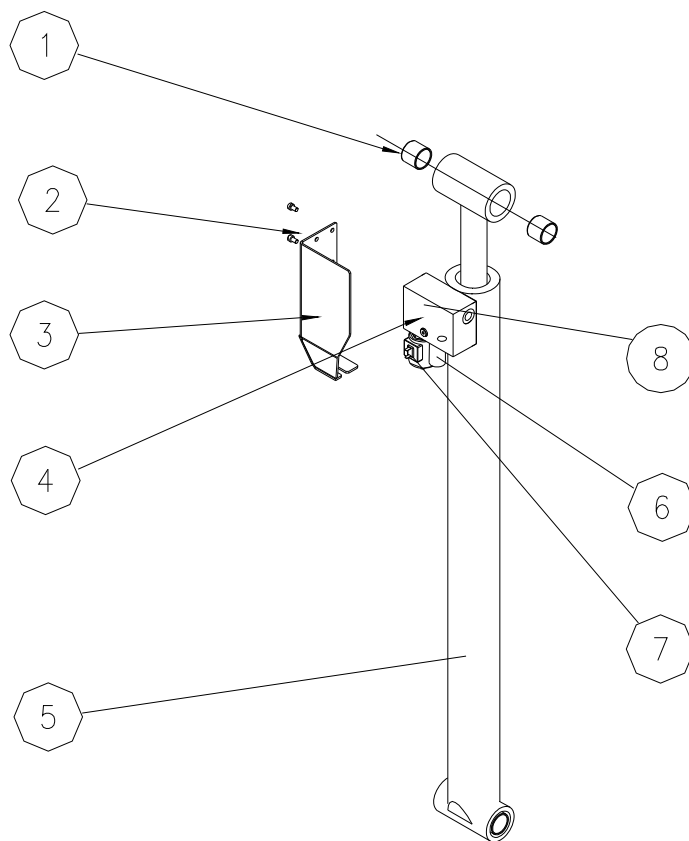
JCPT0808HD, JCPT1008HD, JCPT1012HD, JCPT0808DC, JCPT1008DC,
JCPT1012DC Lift Cylinder

JCPT1212 HD, JCPT1412 HD, JCPT1212DC, JCPT1412DC, JCPT1612DC Lower
Lift Cylinder



| NO. | Parts NO. | Description | Qty. | Remark |
|-----|-------------------|-----------------|------|---------|
| 1 | SF-3236-30 | Bearing | 4 | |
| 2 | GB/T 70.1-2000 | Screw M6x10 | 2 | |
| 3 | JCPT1212HD-530112 | Cover | 1 | |
| 4 | NBCY-100/B-11 | Valve Manifolds | 1 | Welding |
| 5 | 5.8M | Wire | 1 | |
| 6 | 5X70 | Lowering Knob | 1 | |
| 7 | JCPT1212HD-503100 | Lift Cylinder | 1 | |
| | JCPT1612DC-532000 | Lift Cylinder | 1 | |
| 8 | SV38-20J | Lowering Valve | 1 | |
| 9 | CV08-20-0-N-4 | Throttle Valve | 1 | |
| 10 | HP330-250BG-4V | Pressure Sensor | 2 | |

JCPT1212 HD, JCPT1412 HD, JCPT1212DC, JCPT1412DC, JCPT1612DC Up Lift Cylinder



| NO. | Parts NO. | Description | Qty. | Remark |
|-----|----------------------|------------------|------|---------|
| 1 | SF-3236-30 | Bearing | 4 | |
| 2 | GB/T 70.1-2000 | Screw M6x10 | 2 | |
| 3 | JCPT1212HD-530111 | Cover | 1 | |
| 4 | NBCY-110/C-11 | Valve Manifolds | 1 | Welding |
| 5 | JCPT0808HD-503100 | Up Lift Cylinder | 1 | |
| | JCPT1612DC-531000 | Up Lift Cylinder | 1 | |
| 6 | CV08-20-0-N-4 | Throttle Valve | 1 | |
| 7 | SV38-20J | Lowering Valve | 1 | |
| 8 | RV08-22H-0-N-35/M180 | Pressure Valve | 1 | |